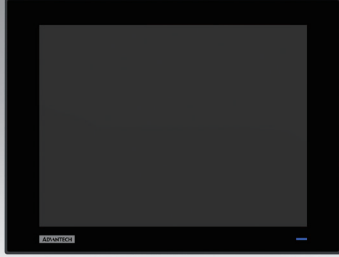


TPC-312-PJ20CN TPC-315-PJ20CN

Elkhart Lake Thin-Client Terminal with Intel® Celeron® J6412 Processor

Preliminary



澎湃性能与精巧设计

- 搭载 Intel® Celeron® J6412 四核处理器，基于 Elkhart Lake (EHL) 平台，提供强劲运算能力。
- 紧凑、无风扇嵌入式系统，配合铝合金前面板边框，确保静音、可靠运行。
- 采用真平面边框设计，外观简洁美观，支持 P-CAP 多点触控操作
- 前面板达到 IP66 级防水防尘标准，有效抵御水溅和灰尘侵入。
- 独家集成机箱接地保护 (Chassis Grounding Protection)，极大增强系统抗干扰能力和使用安全性。
- 支持 -10 ~ 60 宽温操作范围，满足各类严苛工业环境需求。
- 支持 M.2 2280 NVMe 高速存储扩展，满足自动化应用对快速数据处理的需求。
- 兼容研华 WISE-PaaS/RMM 远程管理软件，实现对设备的集中、高效管控。

TPC-3xx-PJ20CN 产品亮点

核心性能与精巧设计

TPC-3xx-PJ20CN 瘦客户机终端搭载低功耗 Intel® Celeron® J6412 四核处理器，并配备 DDR4 SO-DIMM 内存，提供强劲的运算能力。得益于其精巧设计，产品实现了超窄边框的视觉效果和无风扇系统，确保静音可靠运行。

工业级坚固与极致防护

为大幅增强系统耐久性，TPC-3xx-PJ20CN 采用 IP66 级前面板防护，配备真平面触摸屏，有效抵御水溅和灰尘。结合压铸铝合金前面板边框和 P-CAP 多点触控技术，确保设备在严苛的工业环境中稳定可靠。

宽温运行与高速扩展

产品具备宽温操作能力，支持 -10 ~ 60 的运行温度范围，全面适应高低温环境挑战。此外，TPC-3xx-PJ20CN 集成 M.2 2280 NVMe 插槽，为高速自动化应用提供了极速的存储扩展需求。

Specifications

General

- BIOS: AMI UEFI
- Certification: CCC
- Cooling System: Fanless design
- Dimensions (W x H x D): 12.1": 311.8 x 238 x 67 mm (12.28 x 9.37 x 2.64 in)
15": 383.2 x 307.3 x 66.5 mm (15.09 x 12.10 x 2.62 in)
- Enclosure: Front bezel: Die cast aluminum alloy
Back housing: SECC
- Mounting: VESA Mount (75 x 75), Panel, Wall
- OS Support: Windows 10 Enterprise LTSB
- Security: TPM 2.0 (built-in)
- Power Consumption: 19.2 W (typical)
- Power Input: 24V_{DC} ± 20%
- Watchdog Timer: 1 ~ 255 sec (system)
- Weight (Net): 12.1": 4.2kg (9.26lbs)
15": 5.15kg (11.35lbs)

System Hardware

- CPU: Intel® Elkhart Lake
Celeron® J6412, 2.00 GHz, quad core
- Memory: 1 x DDR4 SO-DIMM (Up to 16G)
- LAN: 2 x 10/100/1000BASE-T
- Expansion Slots: 1 x M.2 E Key 2230 (USB/PCIe)
- Storage Slots: 1 x M.2 M Key 2242/2280 (SATA/PCIe)
- I/O: 1 x Power receptor
1 x RS-232
1 x RS-232/422/485
2 x USB3.0
2 x USB2.0
1 x Line Out

LCD Display

	TPC-312	TPC-315
Display Type	XGA TFT LED LCD	XGA TFT LED LCD
Display Size	12.1" (4:3)	15" (4:3)
Max. Resolution	1024 x 768	1024x768
Max Colour	16.2M	16.2M
Luminance cd/m ²	300	
Viewing Angle (H/V°)	178°/178°	176°/176°
Backlight Life	50,000 hrs	70,000hrs
Contrast Ratio	1000:1	2000:1

Touchscreen

- **Light Transmission** 90% ± 3%
- **Type** P-CAP multi-touch

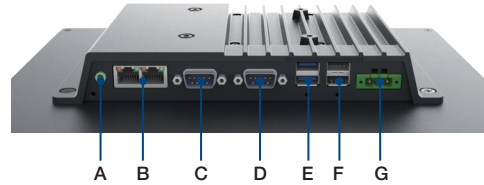
Environment

- **Relative Humidity** Operating, 95% RH @ 40°C, non-condensing
 Non-operating, 95% RH @ 60°C, non-condensing
- **Ingress Protection** Front panel: IP66
- **Operating Temperature** -10 ~ 60 °C (14 ~ 140 °F)
- **Storage Temperature** -30 ~ 70 °C (-22 ~ 158 °F)
- **Vibration Protection** 1 Grms (5 ~ 500 Hz) (Operating, random vibration)

Ordering Information

- **TPC-312-PJ20CN** 12.1" Touch Panel PC, Celeron J6412
- **TPC-315-PJ20CN** 15" Touch Panel PC, Celeron J6412

Rear View

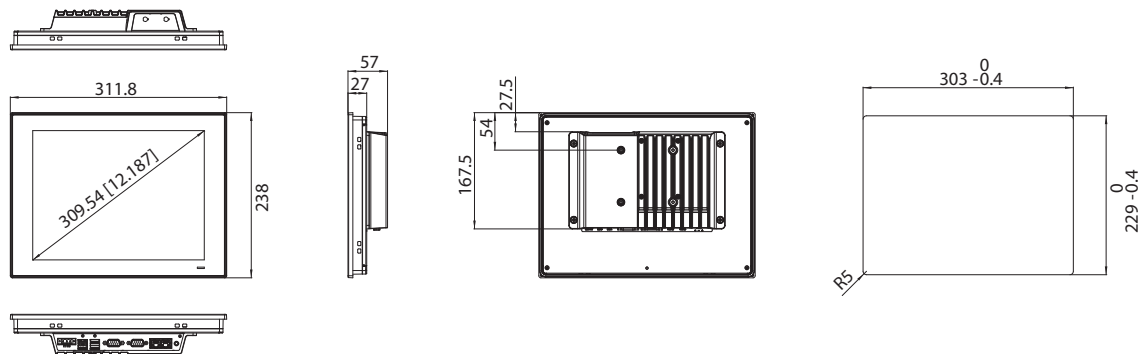


- A. Line Out
- B. LAN (10/100/1000)
- C. RS232/422/485
- D. RS232
- E. USB2.0
- F. USB3.0
- G. Power receptor

Dimensions

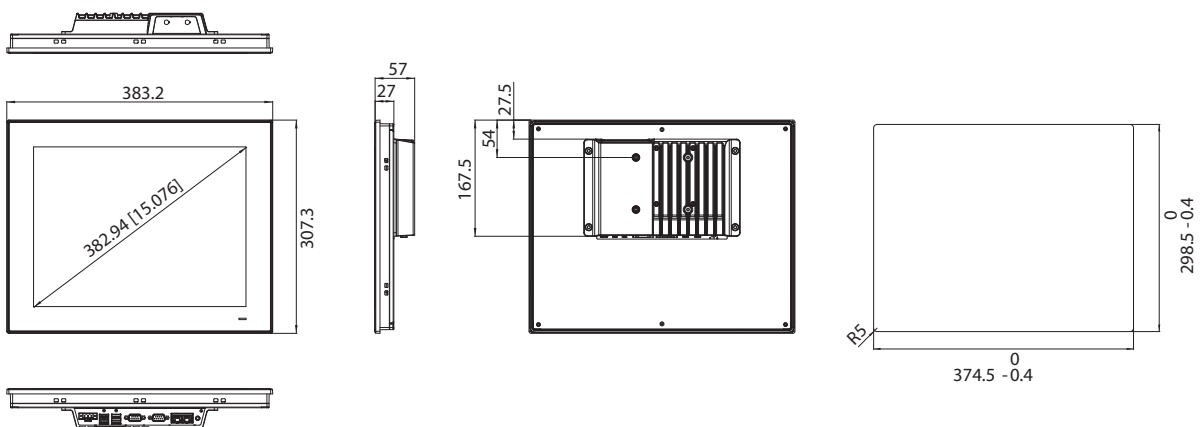
Unit: mm [inch]

TPC-312-PJ20CN



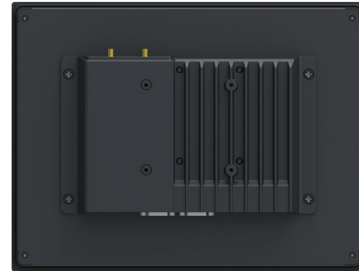
Cut Out Dimension: 303 x 229 mm

TPC-315-PJ20CN



Cut Out Dimension: 374.5 x 298.5 mm

TPC-3xx-PJ20CN Photo



Optional Accessories

- **PWR-247-DE** 60W 24 V_{DC} /2.5A power supply
- **1702002600** Power Cable US Plug 1.8 M
- **1702002605** Power Cable EU Plug 1.8 M
- **1702031801** Power Cable UK Plug 1.8 M
- **1700000596-11** Power Cable China/Australia Plug 1.8 M
- **TPC-WLAN-A1** M.2 AE, Wifi6 + BT5.3, 2T2R,w/Antenna, -40~85°C

Embedded OS

- **20701WX1ES0005** WIN10 LTSC V6.09 B008 for TPC-307W/TPC-310W Entry

Application Software

<p>WebAccess/SCADA</p>	<p>Advantech WebAccess/SCADA is a 100% browser-based IIoT software platform aimed at supervisory control and data acquisition (SCADA) operations. WebAccess/SCADA provides open interfaces that allow our customers and partners to develop unique IoT applications for different vertical markets. In addition to supporting traditional SCADA functions, the platform features an HTML5-based user interface and intelligent dashboard to facilitate cross-platform, cross-browser data analysis. Moreover, WebAccess/SCADA not only offers built-in widgets, but is also equipped with an innovative Widget Builder that enables customers to build their own widgets.</p>
<p>WebAccess/HMI</p>	<p>Advantech WebAccess/HMI is human-machine interface (HMI) software based on Microsoft's Windows operating system. This software features excellent communication and monitoring capabilities, supports more than 350 PLC communication protocols, and offers a wide choice of screen design objects to satisfy diverse integrations of factory automation and HMI operation and monitoring requirements.</p>

Please note: If some optional modules are offered with the system, additional system certificates may be required in certain regions/countries. Please contact Advantech for certificate compliance.

Features Of The TPC-3xx-PJ20CN

1. 面板开孔尺寸保持兼容

TPC-3xx-PJ20CN 沿用上一代 TPCxx51TE3BE1901-T 的面板开孔尺寸，实现 \$100 兼容。这保障了客户在升级新产品时零成本替换，大幅简化现场部署，提升效率。



2. 四核高性能英特尔 Celeron J6412 处理器

TPC-3xx-J20CN 搭载全新 Intel Celeron J6412 处理器，处理速度飙升 3.3 倍！性能强劲，足以应对严苛工业环境的效率需求，是新一代极具性价比的超值产品。



3. 独家 ESD 防护设计

采用主板与机箱隔离设计，确保系统运行的稳定性；搭载独家 ESD 导流防护技术，有效泄放静电，大幅强化产品的可靠度。



4. 前面板 IP66 级防水防尘

前面板通过 IP66 防水认证，能够可靠抵御水溅和灰尘侵入，确保设备在工业环境中的稳定运行。



5. 满足工业标准的操作温度范围

强悍支持 -10~ 60 宽温工作，无惧极端温度挑战，为各种工业应用提供不间断的稳定保障。



6. 严选优质元器件，保障长期稳定供货。

搭载 \$50,000 小时高寿命 LCD，严选优质元器件，确保设备在工业应用中的稳定运行。TPC-3xx-PJ20CN 产品保障 7 年或更久的持续供货。

