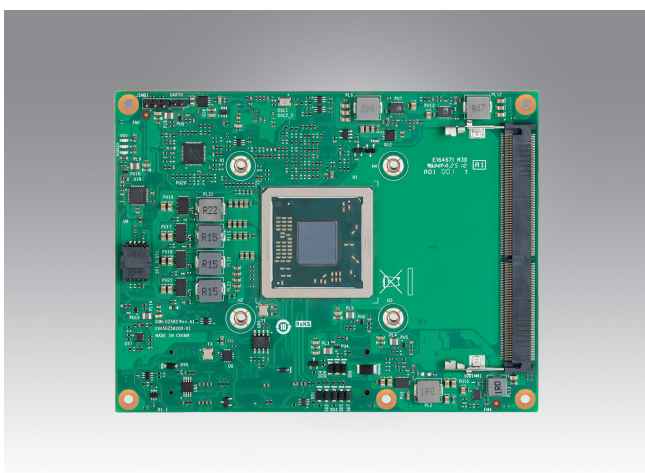


SOM-GZ582

COMe Basic Type6核心模块
兆芯KX-6000G处理器



特点

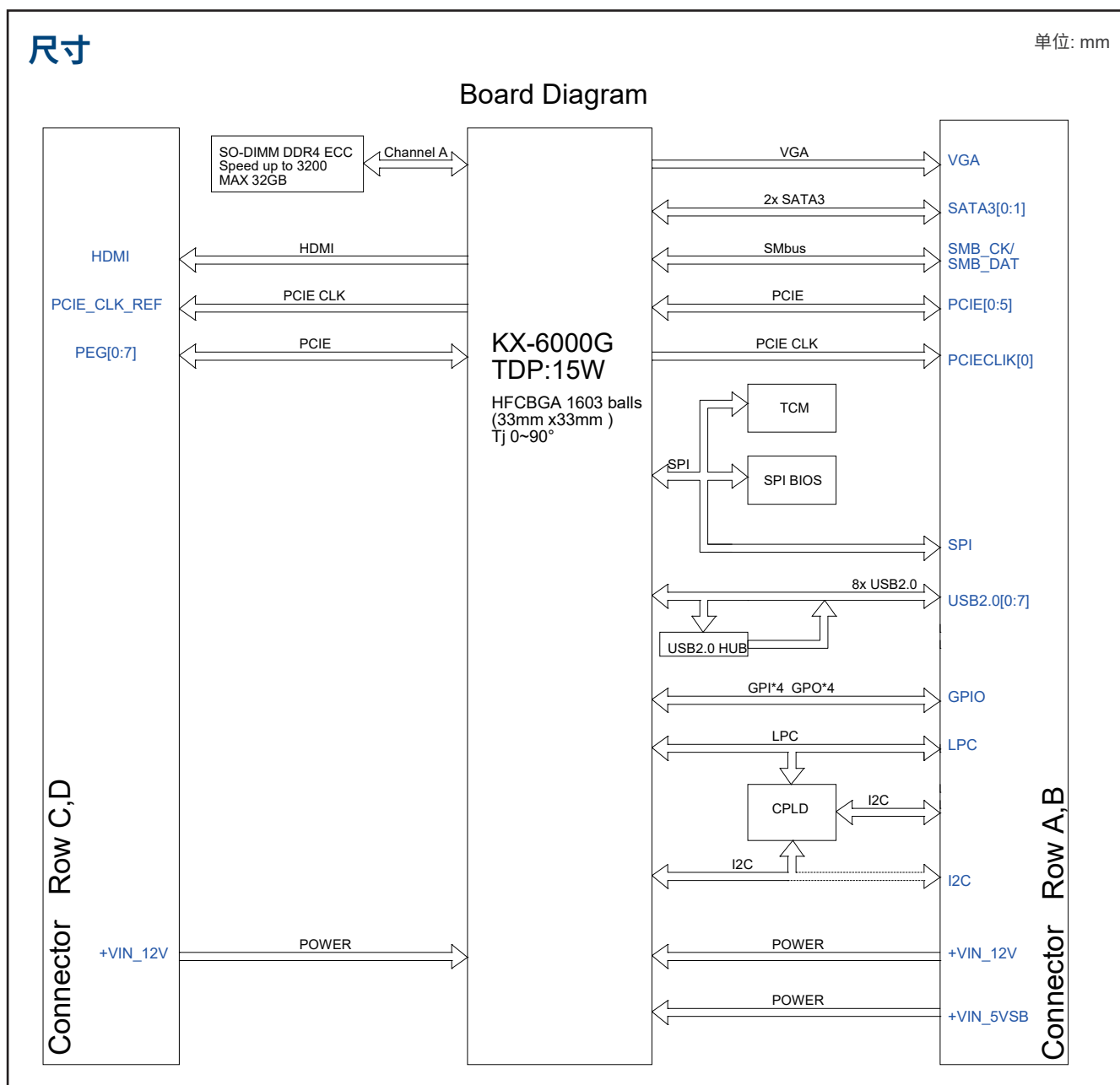
- 兆芯KX-6000G, 4核低功耗处理器
- 支持1*SO-DIMM DDR4内存, Up to 32GB
- HDMI, VGA双高清显示
- 2个SATA3.0, 8个USB2.0
- PCLE可以配置×8, ×4, ×2, ×1
- 支持麒麟/统信等国产操作系统
- 国产化率100%
- COMe R3.0 Type 6 Basic模块(125 x 95mm)

规格

产品类型	Form Factor	COM Express Basic Module
	Pin-Out Type	COM Express R3.0 Type 6 pin out
处理器	CPU	KX-6000G
	Core Number	4
	TDP	15W
	BIOS	百敖
内存	Technology	DDR4
	Frequency	3200MHz
	ECC Support	Yes
	Max. Capacity	Up to 32GB
	Socket	1 260P SO-DIMM
显示	VGA	1 1920 x 1080@60Hz
	HDMI	1
扩展	PCI Expression	支持CFG_A [0:8] 配置, X8 or X4 or X2 or X1
Serial Bus	SMBus	1
	I2C Bus	1
Ethernet	Gigabit	No
I/O	SATA3.0	2 Ports
	USB2.0	8 Ports
	USB3.0	4 Ports
	SPI Bus	Yes
	GPIO	4 x DI, 4 x DO
	LPC	1
	Watchdog	65536 level, 0 ~ 65535 sec
	Power	Type
	Supply Voltage	Vin: 12V; VSB: 5V +/-5%,
Environment	Temperature	Operating Standard: 0 ~ 60 °C (32 ~ 140 °F) Storage: -40 ~ 85° C (-40 ~ 185° F)
	Humidity	Operating: 40 °C @ 95% relative humidity, non-condensing Storage: 60 °C @ 95% relative humidity, non-condensing
	Vibration Resistance	3.5Grms
Mechanical	Dimensions	125 x95mm

尺寸

单位: mm



订购信息

料号	CPU	基础频率	核心数	最高DDR4内存频率	CPU功耗	工作温度
SOM-GZ582-6GL0A1	KX-6000G	2.0HGZ	4	3200MHz	15W	0-60°C

开发板

料号	描述
DMS-DB5800-00A1	COMe R3.0 Devel. Board Type6 Rev. A1
SOM-DB5830-00A1	COMe R3.0 Devel. Board Type6 Rev. A1