



## Features:

- Industrial 15.6"/21.5" FHD LCD
- Intel N97 or i3-1215U/i5-1235U/i7-1255U
- RFID reader in front
- Front camera/barcode scanner (by request)
- VESA mounting



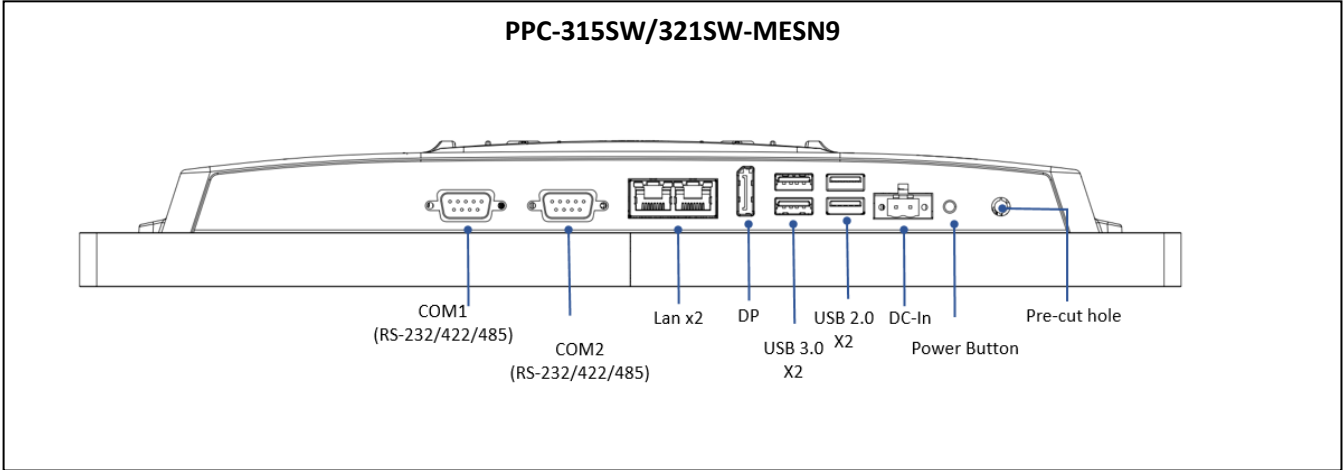
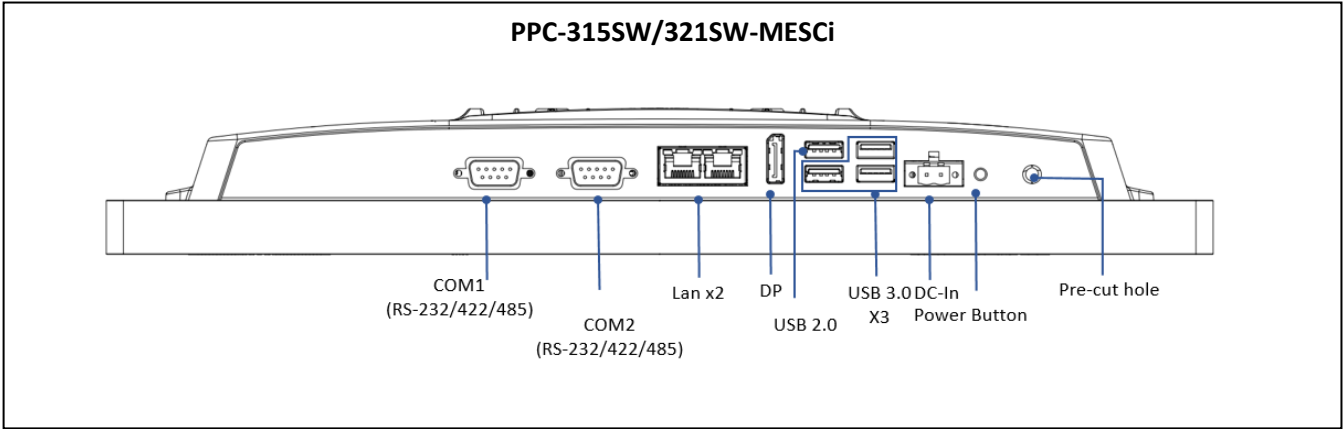
## Specification:

	Model	PPC-315SW/321SW-MESCi	PPC-315SW/321SW-MESN9
<b>System</b>	CPU	Intel i5-1235U(default) i3-1215U/ i7-1255U (by request)	Intel N97
	Memory	1 x SODIMM DDR4 , max. 32GB	1 x SODIMM, DDR5 4800MHz, max. 16GB
	Storage	1 x 2.5" SATA bay* 1 x M.2 M Key 2242/2280 (SATA or NVME PCIe x 4), support SATA RAID 0,1;	1 x 2.5" SATA bay* 1 x M.2 M Key 2242/2280 (SATA or NVME PCIe x 1)
	LAN	2 x 10/100/1000 Mbps Ethernet (Intel I210)	2 x 10/100/1000/2500 Mbps Ethernet (Intel I226)
	I/O	2 x RS-232/422/485; 2xRS-232 (by request) 3 x USB 3.2,1 x USB 2.0; 1 x DP 1 x GPIO & 2 x USB 2.0 (optional)*	2 x RS-232/422/485 2 x USB3.2, 2 x USB2.0; 1 x DP 1 x GPIO & 2 x USB 2.0 (optional)*
	Expansion	1 x M.2 B key 2242 or 3042/3052 (SATA, PCIe X1 ,USB 3.0 & SIM slot)** 1 x M.2 E Key 2230 (PCIe & USB 2.0) 1 x iDoor (optional)*	1 x M.2 B key 2242 or 3042/3052 (SATA, PCIe X1 ,USB 3.0 & SIM slot)** 1 x M.2 E Key 2230 (PCIe & USB 2.0) 1 x iDoor (optional)*
	Power Input	24VDC ± 30%	24VDC ± 30%
	Power Consumption	80W/85W (Burn-in test 8.1 in Windows 10 64-bit)	45W/50W (Burn-in test 8.1 in Windows 10 64-bit)
	RFID	Read only 13.56MHz&125k	
	Front camera (by request)	5M Pixel	
	Barcode scanner (by request)	2D: PDF417、QR Code、Data Matrix ; 1D: Code 128, EAN-13, EAN-8, Code 39, UPC-A, UPC-E, Codabar, Interleaved 2 of 5, ITF-6, ITF-14, ISBN, Code 93, UCC/EAN-128, GS1 Databar, Matrix 2 of 5, Code 11, Industrial 2 of 5, Standard 2 of 5, Plessey, MSI-Plessey	
	<b>OS Support</b>	OS	Windows 10, 11, Linux
<b>Characteristics</b>	Mounting	VESA 75	
	Dimension	15.6": 387.2 x 286.6 x 51.1 mm / 21.5": 529.8 x 358.5 x 51.1 mm	
	Weight	15.6": 4.4Kg / 21.5": 6.5Kg	
<b>Display</b>	Size	15.6" or 21.5"	
	Resolution	1920 x 1080	
	Viewing Angle	178° / 178°	
	Luminance	15.6": 350nits / 21.5": 250nits	
	Contrast Ratio	15.6": 500 / 21.5": 1000	
	Backlight Lifetime	50,000 hrs (Min.)	
	<b>Touch</b>	Type	Multi touch projected capacitive
Light Transmission		> 86%	
<b>Environment</b>	Operating Temperature	0~ 50°C for SSD	
	Storage Temperature	-20 ~ 60°C	
	Relative Humidity	95% @ 40°C (non-condensing)	
	Shock	Operating 10 G peak acceleration (11 ms duration)	
	Vibration	Operating Random Vibration Test 5 ~ 500Hz, 2Grms @with SSD,	
	Certificate	CCC/CE	

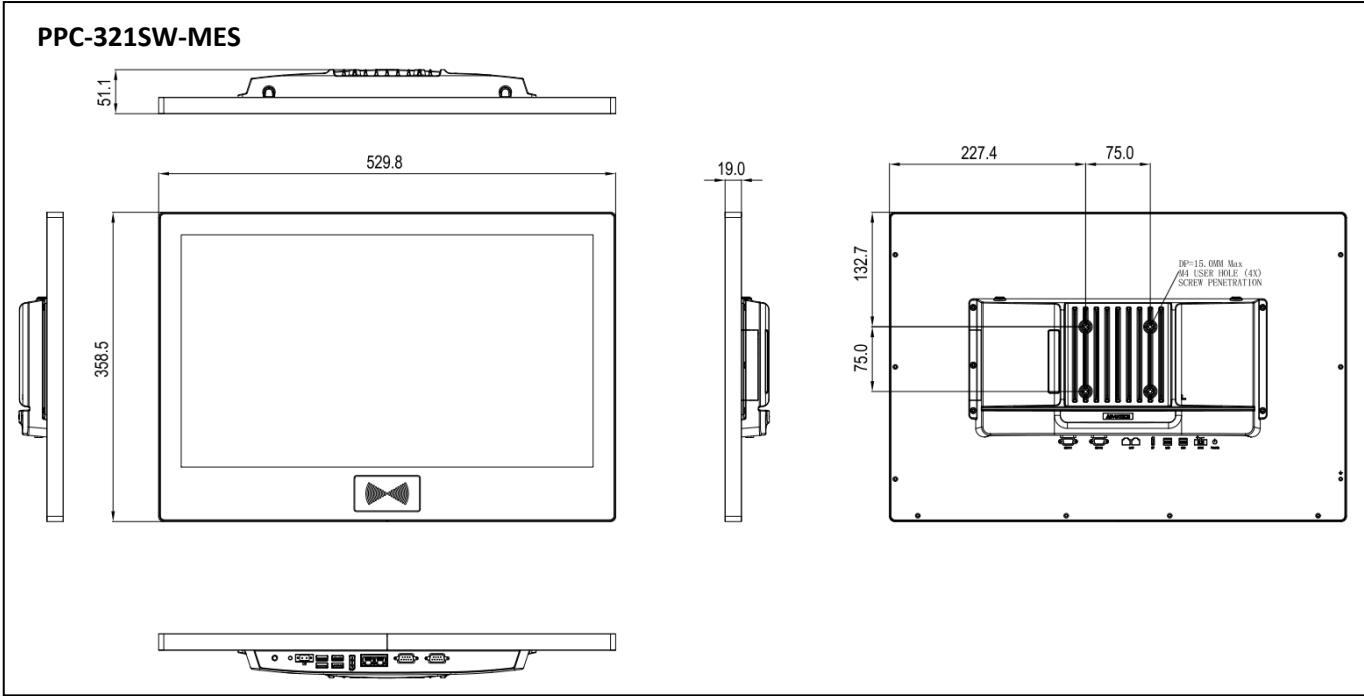
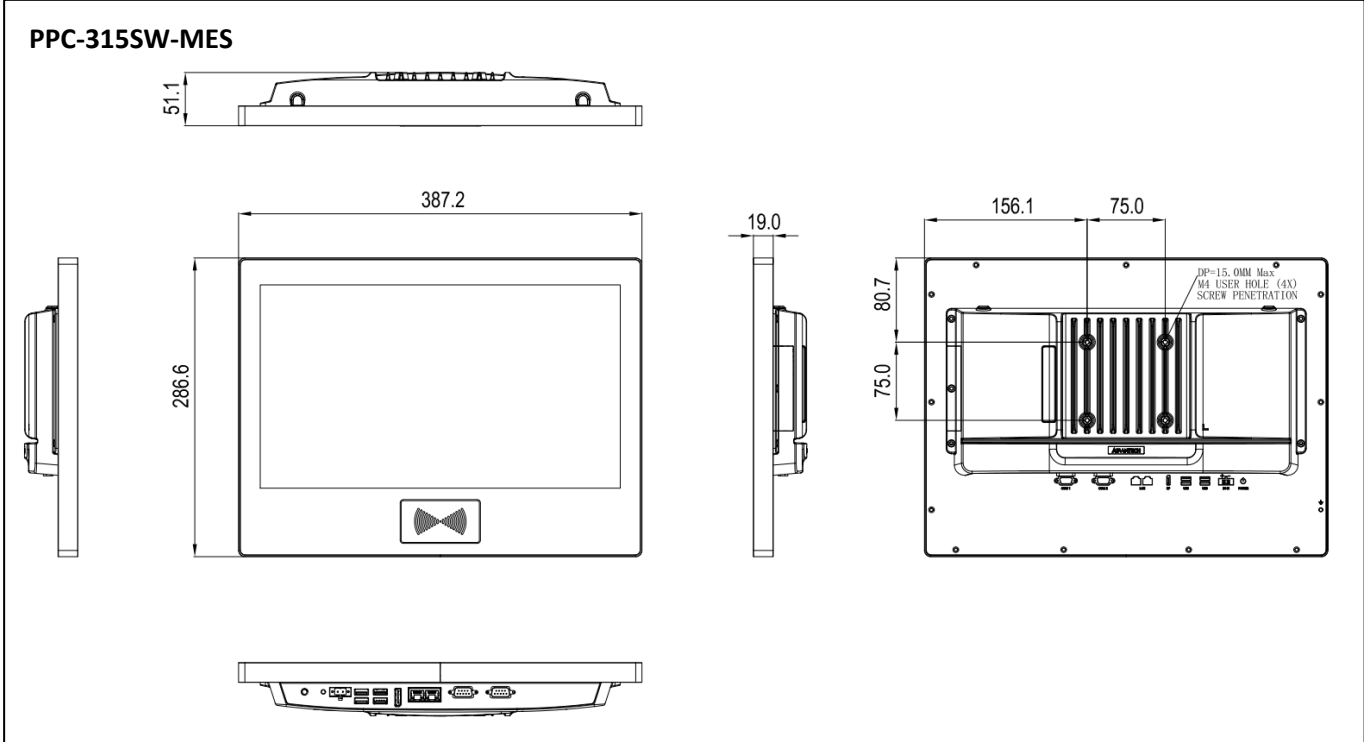
# Appearance:



# IO drawing:



# Dimension:



## Ordering Information:

Part Number	Description
PPC-315SW-MESPCi5A	15.6" PPC w/Intel i5-1235U,RFID
PPC-315SW-MESPN9A	15.6" PPC w/Intel N97,RFID
PPC-321SW-MESPCi5A	21.5" PPC w/Intel i5-1235U,RFID
PPC-321SW-MESPN9A	21.5" PPC w/Intel N97,RFID
96PSA-A90W19OT-3	Power adapter 100-240V 90W 19V
96CB-POWER-B-1.8MB	Power code 3P CCC(China) 1.8M for 96PSA-A90W19OT-3
96PSA-A120W24T2-4	Power adapter 100-240V 120W 24V for 21.5"
96CB-POWER-B-1.8MA	Power code 3P CCC(China) 1.8M for 96PSA-A120W24T2-4
PPC-WLAN-D2	M.2, WiFi6 +BT5.2, 2T2R, w/Antenna
PPC-ARM-A03	ARM VESA Standard (A-CLEVER) for PPC series
PPC-174T-WL-MTE	Wall mount kit for PPC series
PPC-Stand-A1E	Stand for PPC series
98R1P300S10	Additional ports module (2 x USB 2.0 + 1 x GPIO)*

\* iDoor, additional ports or 2.5" SATA bay can't be installed in the same time since they share the same space.

\*\*For SATA Storage, choose either the B key or the 2.5" SATA bay.

## Support iDoor Modules:

Part Number	Description
PCM-34R1TP-AE	1 port Gigabit Ethernet, Intel® I225, 2.5Gb/s, TSN
PCM-34R2GL-AE	2 ports Gigabit Ethernet, Intel® I350
PCM-34D2R4-AE	2 ports Isolated RS-422/485, DB9
PCM-34D2R2-AE	2 ports Isolated RS-232, DB9
PCM-34D4R4-A	4 ports non-isolated RS-422/485, DB37 cable
PCM-34D4R2-AE	4 ports non-isolated RS-232, DB37 cable
PCM-37D24DI-AE	4 channels isolated digital I/O with counter, DB37
PCM-23C1CF-BE	1 slot Cfast iDoor for CFast