

NMC-0807

8 Ports 1GbE RJ45 网络扩展模块 可选配支持Bypass功能




特性

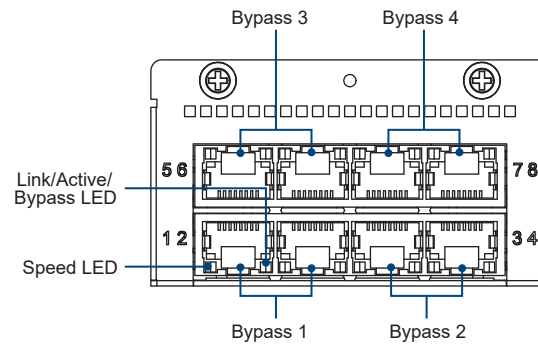
- 2 x Intel i350-AM4
- 8 Ports RJ45 connector
- 1 x 第二代PCIe x 4
- 支持4组LAN Bypass 功能(可选)
- 通过无铅认证



规格

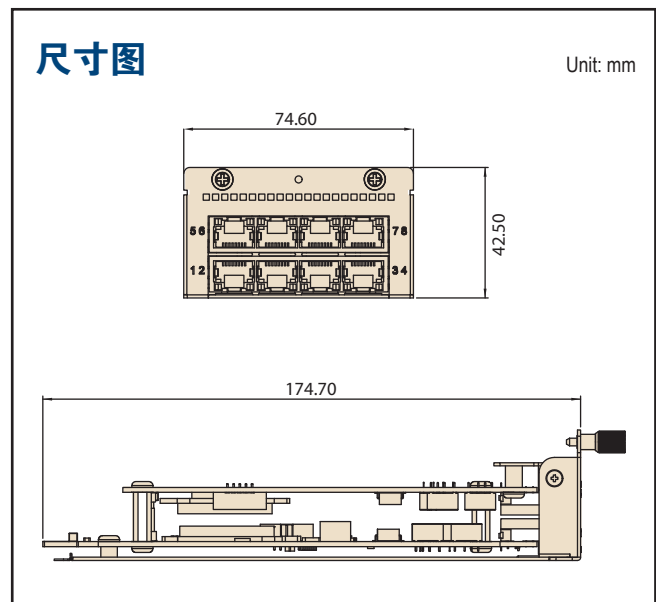
控制器	2 x Intel i350-AM4
接口	1 x PCIe x4, Gen2
数据速率	1GbE
端口	8 x RJ45
LAN Bypass	4 pairs Advanced LAN Bypass (optional)
LAN LED definition	Speed LED(Left on RJ45): 10Mbps:N/A 100Mbps:Amber on (Downgrade speed) 1000Mbps:Green on (Maximum speed)  Link/Act/Bypass LED (Right on RJ45): Link: Green on Active: Green Blinking LAN Bypass: Amber on Disconnect: Amber blinking
应用软件特性	合作支持： IEEE 802.3ad IEEE 802.1Q VLANs IEEE 802.3 2005 flow control support Interrupt moderation
支持OS	Windows® Server 2012 R2, 2012, 2008 R2 X86-64 Linux RedHat EL 6.5 and 7.0 IA-32, X86-64, and IA-64 Linux SuSE SLES 11 SP3 and 12 IA-32, X86-64, and IA-64 FreeBSD 9 and 10 IA-32, X86-64, and IA-64 UEFI 2.1 and 2.3 X86-64 and I-64 VMware ESXi5.1, ESXi5.5 and ESXi6.0 X86-64
工作温度	Operation: 0 ~ 45 °C Storage: -20 ~ 60 °C
电源电压 & 功耗	+12V ±10% 10W
尺寸 (W x H x D)	74.6 x 42.5 x 174.6 mm
认证	CE/FCC

前面板布局图



LAN端口2~8 LED的定义与LAN端口1相同。

尺寸图



订购信息

料号	类型	说明
NMC-0807-08CBSB1	Thumbscrew	8 Ports 1GbE RJ45