

IDS-3117

17" SXGA Industrial Open Frame Monitor

NEW



Features

- 17" SXGA LCD panel with LED backlight for 20% power saving and environmental protection
- -20° C ~ +60° C wide range operating temperature
- 5-wire resistive touch screen solution
- Combo touch interface of RS-232 and USB
- Dual signal interface with VGA & DVI
- Integrated bracket for easy installation
- Versatile mounting methods for rear mounting and VESA mounting
- Sunlight readable solution (optional)
- Ultra high brightness solution of 1200 cd/m² for outdoor application (optional)

Introduction

The Advantech IDS-3117 Embedded Open Frame Monitor series offers flexible options for LCD, touchscreen, signal interface and chassis mounting. The series supports rear and VESA mounting. The integrated brackets bring the benefits of easy installation and provide flexibility for different applications.

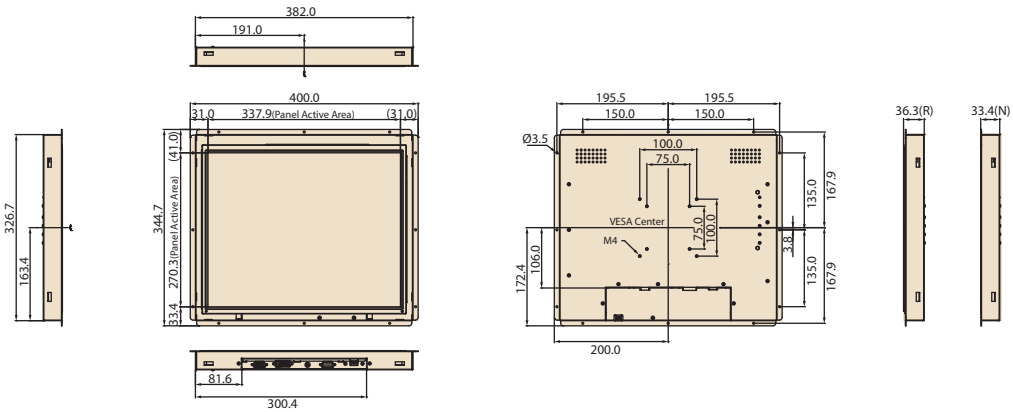
Specifications

	Model	IDS-3117	IDS-3117E(A1)	IDS-3117E(A3)
Display	Size	17" LED panel	17" LED panel	17" LED panel
	Resolution	1280 x 1024 (SXGA)	1280 x 1024 (SXGA)	1280 x 1024 (SXGA)
	Viewing Angle	85°/85° (H), 80°/80° (V)	89°/89° (H), 89°/89° (V)	89°/89° (H), 89°/89° (V)
	Brightness	350 (cd/m ²)	250 (cd/m ²)	250 (cd/m ²)
	Color Support	16.7M colors	16.7M colors	16.7M colors
	Contrast Ratio	800:1	1000:1	1000:1
	Response Time	30 [msec]	25 [msec]	25 [msec]
	Backlight Life (hrs)	50,000 hrs	50,000 hrs	50,000 hrs
	Touchscreen	T/S Type	5-Wire Resistive Touch Screen	5-Wire Resistive Touch Screen
Surface Hardness		3H	3H	3H
Durability		10 million touches	10 million touches	3.5 million touches
Transparency		80% ± 3%	80% ± 3%	78% ± 3%
Environment	Operating Temperature	-20 ~ 60° C (-4 ~ 140° F)	0~ 45° C (32 ~ 113° F)	0~ 45° C (32 ~ 113° F)
	Storage Temperature	-30 ~ 70° C (-22 ~ 158° F)	-20 ~ 60° C (-4 ~ 140° F)	-20 ~ 60° C (-4 ~ 140° F)
	Humidity	90% @ 40° C, non-condensing	90% @ 40° C, non-condensing	90% @ 40° C, non-condensing
	Vibration	5-500Hz, 0.026G ² /Hz, 2.16Grms, X, Y, Z	5-500Hz, 0.026G ² /Hz, 2.16Grms, X, Y, Z	5-500Hz, 0.026G ² /Hz, 2.16Grms, X, Y, Z
System	I/O	VGA x 1; DVI-D x 1; 12 V _{DC} Jack x 1; USB x1; RS-232 x 1 (USB & RS-232 are reserved for the connection to enable touch usage only)	VGA x 1; 12 V _{DC} Jack x 1; USB x1; RS-232 x 1 (USB & RS-232 are reserved for the connection to enable touch usage only)	VGA x 1; DVI x 1; 12 VDC Jack x 1; USB x1; RS-232 x 1(USB & RS-232 are reserved for the connection to enable touch usage only)
	OSD	Keys: Menu, Up, Down, Auto Adjust, Monitor Power on/off Menu Functions: Brightness, Contrast, Screen Settings, Color Temp, Language OSD Settings, VGA/ DVI , Recall , Auto Adjust	Keys: Menu, Up, Down, Auto Adjust, Monitor Power on/off Menu Functions: Brightness, Contrast, Color Adjust, Color Temp, Auto Color,Language	Keys: Menu, Up, Down, Auto Adjust, Monitor Power on/off Menu Functions: Brightness, Contrast, Color Adjust, Color Temp, Auto Color,Language
	Power	60 W power adapter, with AC 100 ~ 240 V input and DC +12 V @ 5 A output		
	EMC Compliance	CE/FCC/CCC		

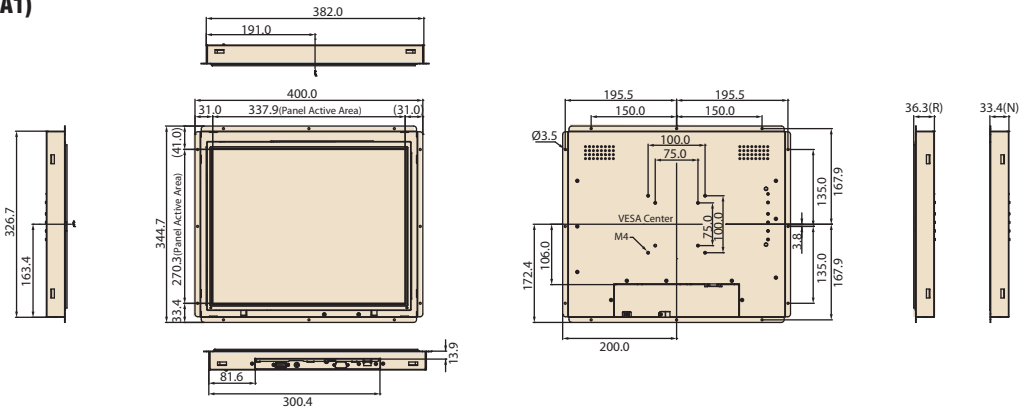
Dimensions

Unit: mm

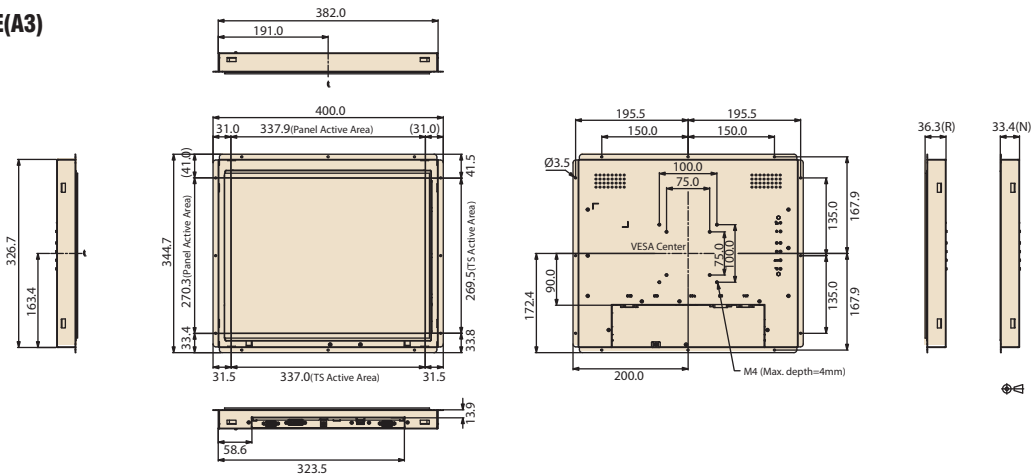
IDS-3117



IDS-3117E(A1)



IDS-3117E(A3)



Packing List

Part Number	Description
1700002215	1 x M Cable USB-A(M)/USB-A(M) 180CM
1700021332-11	1 x VGA cable 15P(M) 1.8 meter
1962055040	8 x Clamper
1935042520	8 x Screw of clamper M4_25L
1992610005	1 x Cable clamp
1933030500	1 x Screw of cable clamp
1992602010	1 x Cable tie

* USB Cable is only included in IDS-3117R and IDS-3117ER series.

Note: Package contents are subject to change without prior notice

Optional Items

Part Number	Description
1702002600	3-Pin power cord (USA)
1700000596	3-Pin power cord (China)
1700018705	3-Pin power cord (EU)
1700018704	3-Pin Power Cord (UK)
1700000237	3-Pin Power Cord with PSE (Japan)
96PSA-A60W12R1-3	ADAPTER AC100-240V 60W +12V/5A
1700000243-11	DVI cable 2.0 meter
1700091800	CABLE 9P/9P 1.8M M/F (T/S RS-232 Cable)

Ordering Information

Model Name	Description
IDS-3117N-35SXA1E	17" SXGA 350 cd/m ² Open Frame Monitor
IDS-3117R-35SXA1E	17" SXGA 350 cd/m ² Open Frame Touch Monitor
IDS-3117EN-25SXA1E	17" SXGA 250 cd/m ² Open Frame Monitor (W/O Touch)
IDS-3117ER-25SXA1E	17" SXGA 250 cd/m ² Open Frame Touch Monitor (VGA Only)
IDS-3117ER-25SXA3E	17" SXGA 250 cd/m ² Open Frame Touch Monitor (VGA/DVI)