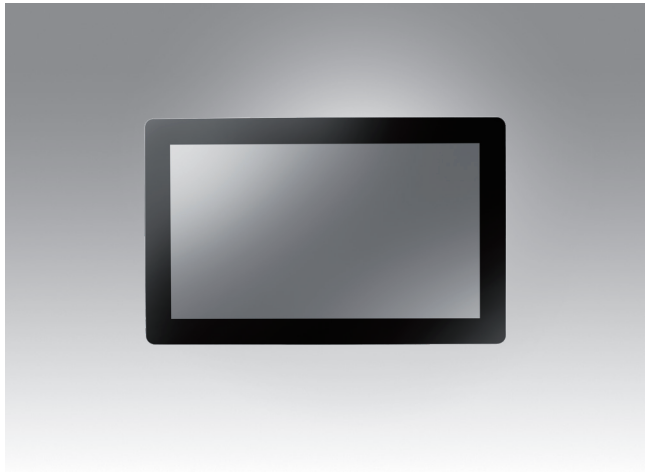


# IDP31-101W

## 10.1" Bezel-less Touch Monitor



### Features

- 10.1" LCD wide screen panel with LED backlight delivers a long service life
- Supports wide operating temperatures
- True flat surface – contemporary Proflat design
- Wide viewing angles support portrait and landscape modes
- Thin profile enclosure eliminates need for additional casing or metalwork
- Multi-touch PCAP touchscreen with USB interface
- IP rating for water and dust protection
- Optional anti-reflective surface treatment empowers sunlight readability (customized solution)

### Introduction

Advantech's IDP31-101W Proflat monitor meets demands for stylish contemporary public signage, medical, and POS applications. This solution features a flat, easy to clean/maintain glass surface with long-term product availability. IDP31-101W can be used in either portrait or landscape modes using a VESA mount. This solution's metal chassis creates a rugged and stable platform for a wide range of applications and solutions.

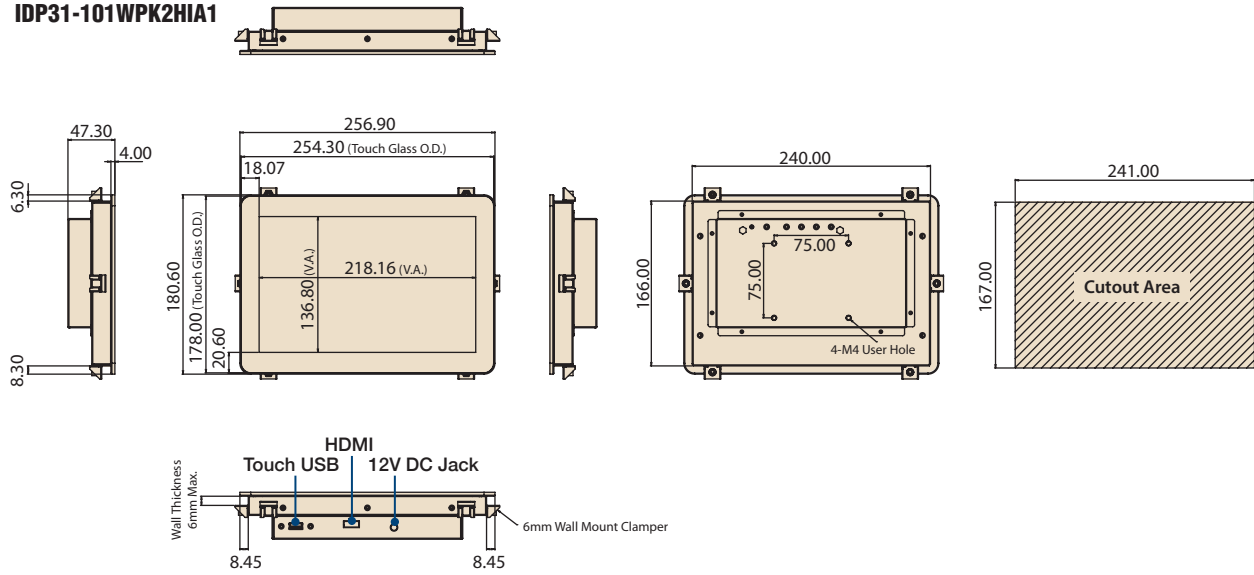
### Specifications

Display Features	Specifications				Notes
	IDP31-101WP50HIA1	IDP31-101WPK2HIA1	IDP31-101WP50HIA2 (semi-industrial version - MIC)	IDP31-101WP50HIA3 (semi-industrial version - MIT)	
Model	IDP31-101WP50HIA1	IDP31-101WPK2HIA1	IDP31-101WP50HIA2 (semi-industrial version - MIC)	IDP31-101WP50HIA3 (semi-industrial version - MIT)	
Resolution	1280 x 800	1280 x 800	1280 x 800	1280 x 800	
Brightness	500 cd/m <sup>2</sup>	1200 cd/m <sup>2</sup>	500 cd/m <sup>2</sup>	500 cd/m <sup>2</sup>	
Viewing Angle	85°/85°/85°/85°	85°/85°/85°/85°	85°/85°/85°/85°	85°/85°/85°/85°	Left/Right/Up/Down
Color depth	8 bits	8 bits	8 bits	8 bits	
Contrast Ratio	800:1	800:1	800:1	800:1	
Response Time	25 ms	25 ms	25 ms	25 ms	
Backlight Lifetime	50,000 hours	50,000 hours	50,000 hours	50,000 hours	Typical time to half brightness in room temperature operation
Touchscreen Type	Projected Capacitive	Projected Capacitive	Projected Capacitive	Projected Capacitive	10 points
Surface Hardness	7H	7H	7H	7H	Pencil hardness
Transparency	90%	90%	90%	90%	
Cover Glass Thickness	1.8 mm	1.8 mm	1.8 mm	1.8 mm	
Operating Temperature	-20 ~ 65 °C	-20 ~ 65 °C	-20 ~ 65 °C	-20 ~ 65 °C	Panel Surface
Storage Temperature	-25 ~ 70 °C	-25 ~ 70 °C	-25 ~ 70 °C	-25 ~ 70 °C	
Humidity	90% @ 40 °C (104 °F)	90% @ 40 °C (104 °F)	90% @ 40 °C (104 °F)	90% @ 40 °C (104 °F)	Non-condensing
Input/Output	HDMI x 1; 12 V <sub>DC</sub> Jack x 1; Type A USB x 1	HDMI x 1; 12 V <sub>DC</sub> Jack x 1; Type A USB x 1	HDMI x 1; 12 V <sub>DC</sub> Jack x 1; Type A USB x 1	HDMI x 1; 12 V <sub>DC</sub> Jack x 1; Type A USB x 1	
OSD	Keys: Menu/Sel, Right/UP, Left/Down, Exit, Monitor Power on/off Key Functions: Brightness, Contrast, Screen Settings, Color Temp, Language	Keys: Menu/Sel, Right/UP, Left/Down, Exit, Monitor Power on/off Key Functions: Brightness, Contrast, Screen Settings, Color Temp, Language	Keys: Menu/Sel, Right/UP, Left/Down, Exit, Monitor Power on/off Key Functions: Brightness, Contrast, Screen Settings, Color Temp, Language	Keys: Menu/Sel, Right/UP, Left/Down, Exit, Monitor Power on/off Key Functions: Brightness, Contrast, Screen Settings, Color Temp, Language	
Power Consumption	8W	13.9W	8W	8W	
Power Input	12V <sub>DC</sub>	12V <sub>DC</sub>	12V <sub>DC</sub>	12V <sub>DC</sub>	
Mounting	VESA/Panel mount	VESA/Panel mount	VESA/Panel mount	VESA/Panel mount	
IP Rating	Front IP67	Front IP67	Front IP67	Front IP67	
Net Weight	1.6kg	1.6kg	1.6kg	1.6kg	

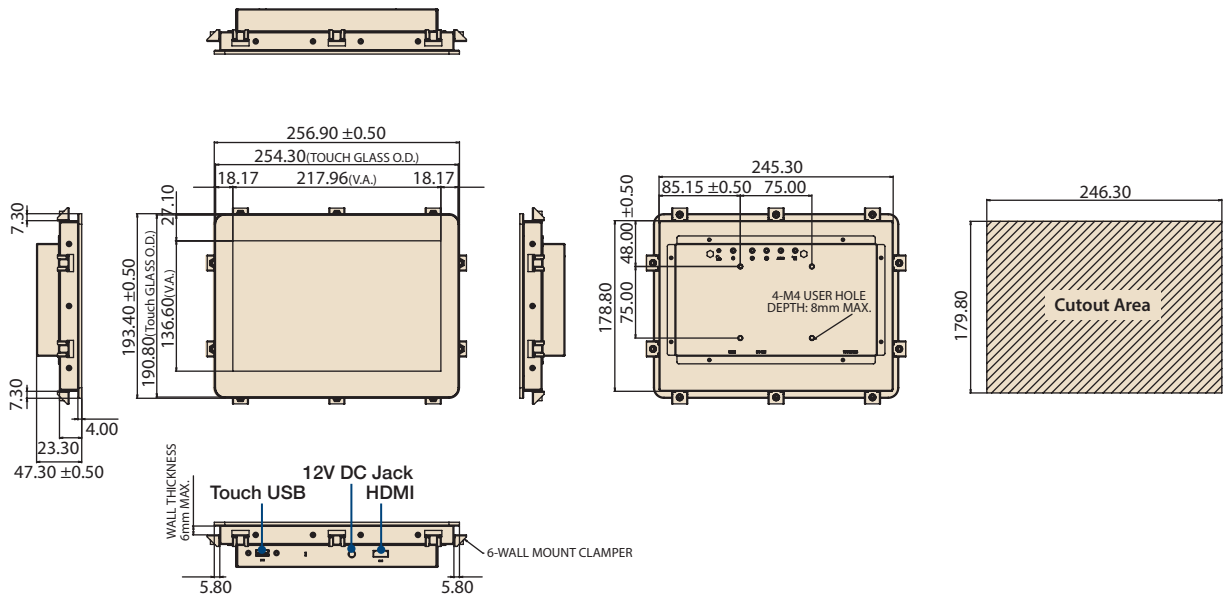
## Dimensions

Unit: mm

**IDP31-101WP50HIA1/  
IDP31-101WPK2HIA1**



**IDP31-101WP50HIA2/  
IDP31-101WP50HIA3**



## Ordering Information

Model Name	Description
IDP31-101WP50HIA1	10.1", Bezel-less touch monitor with PCAP touch screen, WXGA resolution, 500 cd/m <sup>2</sup> brightness, HDMI input
IDP31-101WPK2HIA1	10.1", Bezel-less touch monitor with PCAP touch screen, WXGA resolution, 1200 cd/m <sup>2</sup> brightness, HDMI input
IDP31-101WP50HIA2 (semi-industrial version - MIC)	10.1", Bezel-less touch monitor with PCAP touch screen, WXGA resolution, 500 cd/m <sup>2</sup> brightness, HDMI input
IDP31-101WP50HIA3 (semi-industrial version - MIT)	10.1", Bezel-less touch monitor with PCAP touch screen, WXGA resolution, 500 cd/m <sup>2</sup> brightness, HDMI input

## Packing List

Part Number	Description
1700002215-11	1 x M cable USB-A(M)/USB-A(M) 180CM
1700027186-01	HDMI cable 1.5 meter
1935042520	8 x Screw M4_25L
1962055040	8 x Clamper

## Optional Items

Part Number	Description
1700001524	3-Pin power cord (USA) - Mickey mouse type
1700019146	3-Pin power cord (China) - Mickey mouse type
170203183C	3-Pin power cord (EU) - Mickey mouse type
170203180A	3-Pin power cord 90° (UK) - Mickey mouse type
1700000237-31	3-Pin power cord with PSE (Japan) - Mickey mouse type
96PSA-A36W12R1-3	Adaptor AC100-240V 36W +12V/3A - Mickey mouse type
1700023591-01	HDMI cable 1.2 meter

## Optional Items - IDP31-101WP50HIA2 / IDP31-101WP50HIA3 accessories

Part Number	Description
1700002215-11	1 x M cable USB-A(M)/USB-A(M) 180CM
1700028438-01	HDMI cable 1.8 meter
1935042520	8 x Screw M4_25L
1962055040	8 x Clamper