

IDP31-070W

7" up to 1,000 cd/m² Ultra High Brightness Bezel-less Touch Monitor



Features

- Supports regular and Ultra High brightness 500 cd/m² & 1000 cd/m²
- 7" LCD wide screen panel with LED backlight delivers a long service life
- Supports wide operating temperatures
- True flat surface – contemporary Proflat design
- Wide viewing angles support portrait and landscape modes
- Supports both VESA and panel mounting methods
- Multi-touch PCAP touchscreen with USB interface
- IP rating for water and dust protection
- Anti-reflective surface treatment empowers sunlight readability (customized solution)
- Front side surface treatment for IK08

Introduction

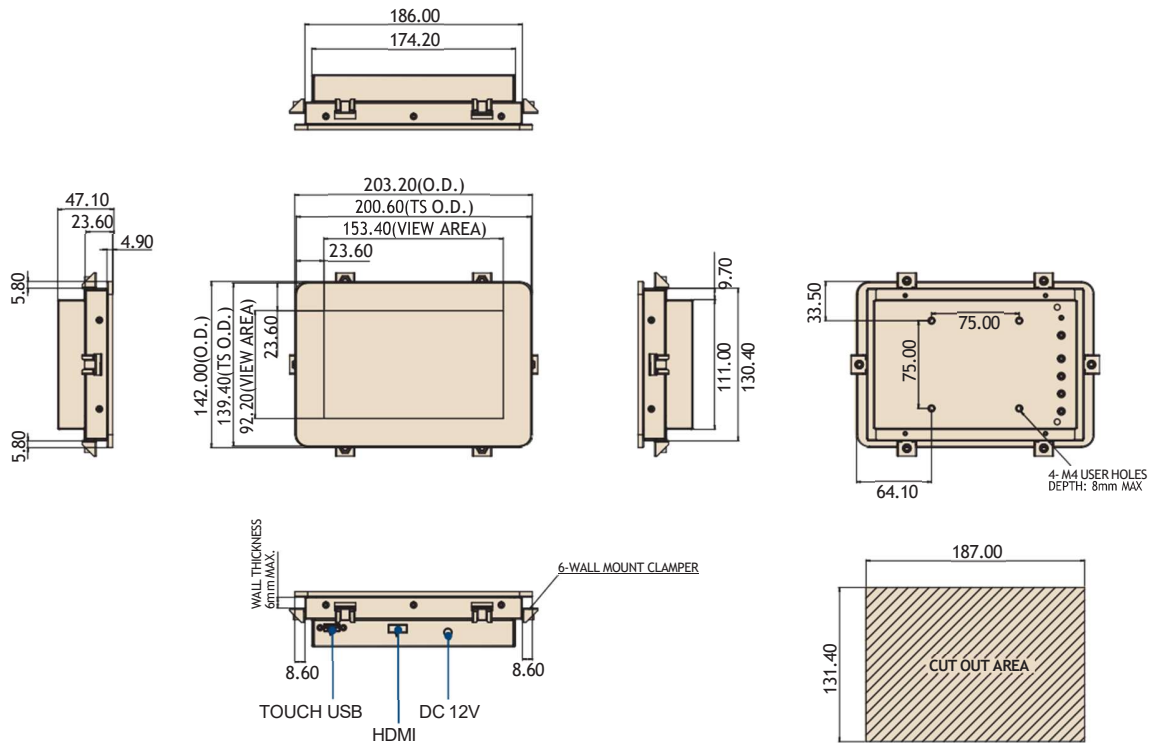
Advantech's IDP31-070W Proflat monitor meets demands for stylish contemporary public EV charger, signage, medical, and POS applications. This solution features a flat, easy to clean/maintain glass surface with long-term product availability. IDP31-070W can be used in either portrait or landscape modes and supports both VESA and panel mounting methods. This solution's metal chassis creates a rugged and stable platform for a wide range of applications and solutions.

Specifications

Display Features	Specifications		Notes
Model	IDP31-070WP50HIA1	IDP31-070WP1KHIA1	
Backlight	LED	LED	Light source
Resolution	800 x 480	800 x 480	
Brightness	500 cd/m ²	1000 cd/m ²	
Viewing Angle	85°/85°/85°/85°	85°/85°/85°/85°	Left/Right/Up/Down
Max Colors	16.7M	16.7M	
Contrast Ratio	800:1	800:1	
Response Time	25 ms	25 ms	Maximum
Backlight Lifetime	50,000 hours	50,000 hours	Typical time to half brightness in room temperature operation
Touchscreen Type	Projected Capacitive	Projected Capacitive	10 points
Surface Hardness	7H	7H	Pencil hardness
Transparency	90%	90%	Minimum
Cover Glass Thickness	2.8 mm	2.8 mm	
Operating Temperature	-20 ~ 65 °C	-20 ~ 65 °C	
Storage Temperature	-30 ~ 80 °C	-30 ~ 80 °C	
Humidity	90% @ 40 °C (104 °F)	90% @ 40 °C (104 °F)	Non-condensing
Input/Output	HDMI x 1; 12 V _{DC} Jack x 1; Type A USB x 1	HDMI x 1; 12 V _{DC} Jack x 1; Type A USB x 1	
OSD	Keys: Menu/Sel, Right/UP, Left/Down, Exit, Monitor Power on/off Key Functions: Brightness, Contrast, Screen Settings, Color Temp, Language	Keys: Menu/Sel, Right/UP, Left/Down, Exit, Monitor Power on/off Key Functions: Brightness, Contrast, Screen Settings, Color Temp, Language	
Power Consumption	4W	5.5W	
Power Input	12V _{DC}	12V _{DC}	
Mounting	VESA/Panel mount	VESA/Panel mount	
IP Rating	Front IP67	Front IP67	
Net Weight	1.2kg	1.2kg	
IK08	Front side surface only	Front side surface only	

Dimensions

Unit: mm



Ordering Information

Model Name	Description
IDP31-070WP50HIA1	7", Bezel-less touch monitor with PCAP touch screen, WVGA resolution, 500 cd/m ² brightness, HDMI input
IDP31-070WP1KHIA1	7", Bezel-less touch monitor with PCAP touch screen, WVGA resolution, 1000 cd/m ² brightness, HDMI input

Packing List

Part Number	Description
1700002215-11	1 x M cable USB-A(M)/USB-A(M) 180CM
1700027186-01	HDMI cable 1.5 meter
1930002205	6 x Screw M4_30L
1962055040	6 x Clamper

Optional Items

Part Number	Description
1700001524	3-Pin power cord (USA) – Mickey mouse type
1700019146	3-Pin power cord (China) – Mickey mouse type
170203183C	3-Pin power cord (EU) – Mickey mouse type
170203180A	3-Pin power cord 90° (UK) – Mickey mouse type
1700008921	3-Pin power cord with PSE (Japan) – Mickey mouse type
96PSA-A36W12R1-3	Adapter 100-240V 36W +12V/3A – Mickey mouse type
1700023591-01	HDMI cable 1.2 meter

All Advantech monitors are configurable to order. Use www.advantech.com for guidance on versions, pricing and deliver for all models