

EPD-333-Z

5.83" Black,white,red,yellow ePaper Solution Suite

NEW



Features

- ARM Cortex-M3 Core Processor
- Supported IEEE 802.15.4 / 2.4 G Networks
- 5.83" 4-Colors ePaper Panel Display
- Great for Low Power Consumption
- Multiple I/O Control with One Button & Two Colors for LED
- Supported Temperature Range: 0 ~ 40 °C
- High Performance Integrated System with RTOS
- Supports Over-the-Air Upgrades (OTA)
- Solution with WISE-3240 Network Coordinator & ARK ePaper Manager Server

Introduction

The EPD-333-Z features an ultra-low power 2.4GHz RF wireless protocol, integrated with a 5.83-inch with black, white, red, and yellow color EPD in an ARM Cortex-M3 processor. Advantech offers various APIs for diverse application fields, including meeting rooms, factory, healthcare, and retails

With optimized power consumption and efficient device management, the EPD-333-Z supports applications with low data rate requirements, enabling multi-year battery life across thousands of connected devices. The EPD-333 provides multiple interfaces for application control, highly integrated with the EPD driver and a low-power system. It can auto-join network groups using the WISE-3240 IoT Router, allowing seamless data acquisition and communication with the ePaper Manager Server. This lets system integrators focus on application development and system management without worrying about connectivity issues.

Specifications

Computing System	MCU	T1 32-bit ARM Cortex-M3 Processor
	Memory	RAM 28KB
Display	Screen Size	125.4 x 99.5 mm
	Resolution	480(H)x648(V) pixels
	Color	4 colors of black, white, red, and yellow
Storage	Internal	Flash: 128 KB
	External	SPI Flash: 512 KB
Network	Standard	IEEE 802.15.4
	Frequency Band	2.4-GHz
	Channels	11~26
	Channel Separation	5MHz
	Transmit Power	-21dBm~ +5dBm
	Receiver Sensitivity	-100dBm
	RF Data Rate	250 Kbps
	Function	End node
	Antenna Connector	MHF Connector
	Antenna	PCB Antenna
Reference Signal Range		15~20m
Interface		LED x1
		Function Key x1
Power	Battery	CR2450 x4 (2480mAh)
Environment	Operational Temperature	0 ~ 40 °C
	Non-Operational Temp.	-25 ~ 50 °C
	Operating Humidity	80% Relative Humidity, non-condensing
Physical Characteristics	Dimensions (W x H)	125.4 x 99.5 mm
	Weight	0.165KG with housing and battery
Operating System		RTOS
Certification	EMC	CE/FCC/NCC

* Note:

-The channel frequency selection can be supported by further plan.

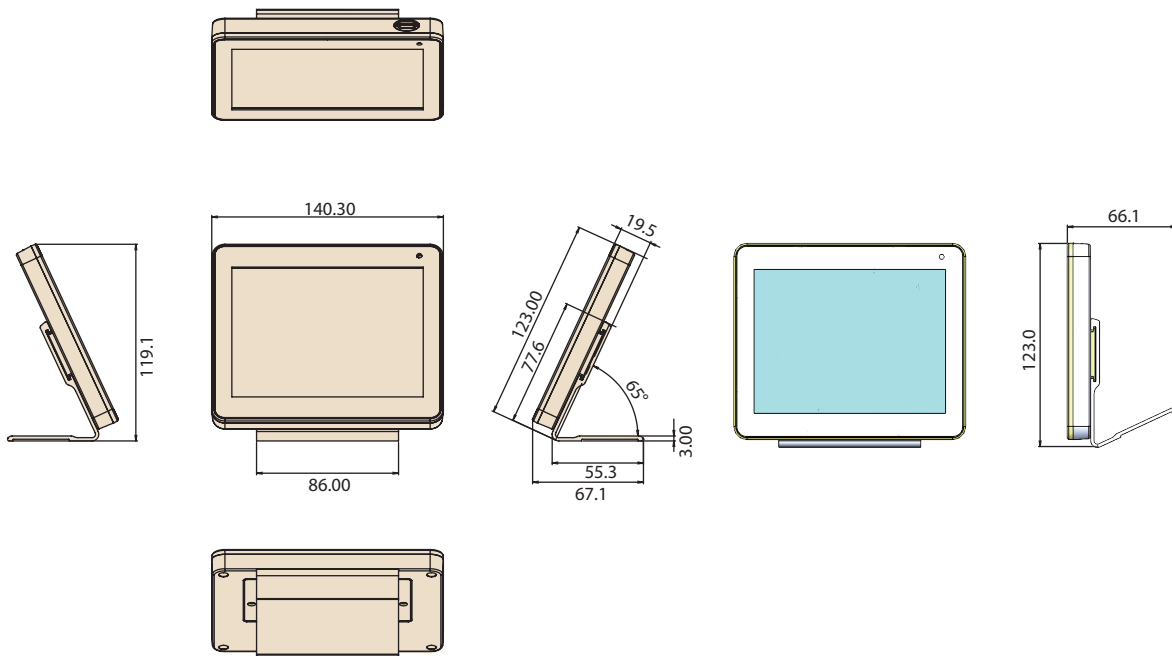
-EPD Data Report and Wakeup behavior duration can be adjusted by different scenario from RESTful API

-System bundles wireless modules; which need RED compliance

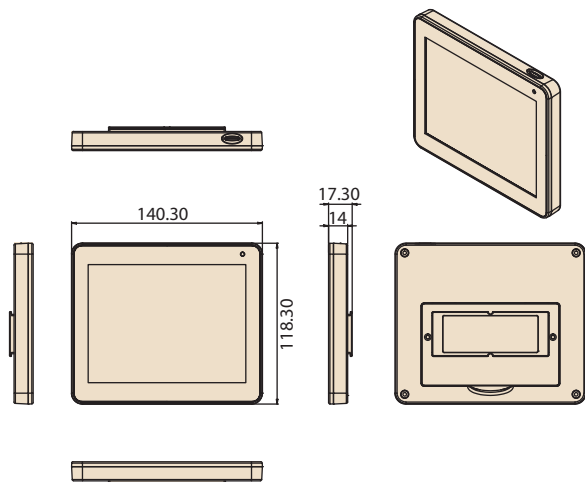
Dimensions

Unit: mm

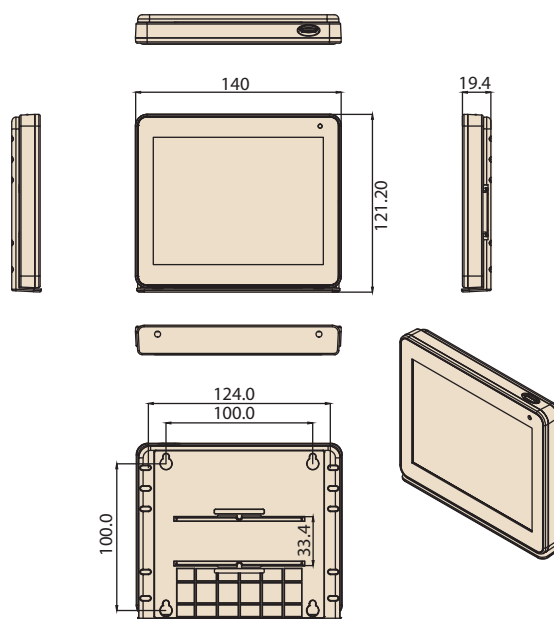
Device with Stand (1960110419T001)



Device



Device with Bracket (1990032657T000)



Ordering Information

Model Name	Part No.	Description
EPD-333-Z	EPD-333-Z1001	5.83" black, white, red, yellow panel ePaper display device solution in 2.4G.

Ubuntu development kit ordering information

	Part No.	Description
EPD device	EPD-333-Z1001	5.83" black, white, red, yellow wireless ePaper display device solution in 2.4G
Router	WISE-3240IOS-41A1E	Wireless EPD 2.4G WiFi Network IoT Router in industrial grade for Europe
	WISE-3240IOS-41A1J	Wireless EPD 2.4G WiFi Network IoT Router in industrial grade for Japan
	WISE-3240IOS-41A1N	Wireless EPD 2.4G WiFi Network IoT Router in industrial grade for North America
	WISE-3240IOS-41A1T	Wireless EPD 2.4G WiFi Network IoT Router in industrial grade for Taiwan
	WISE-3240IOS-41A1C	Wireless EPD 2.4G WiFi Network IoT Router in industrial grade for China
ePaper manager	ARK-1221L-EP1A1	ARK-1221L-S5A1U,16G RAM, 128G SSD, ADPePaper

Optional Accessories

Part No.	Description
1760002692-01	4 pcs CR2450 battery
1990032657T000	Wall Bracket
1940006309 Wall	bracket Glue
1960110419T001	Bottom Frame for EPD-332 Liquid WHITE

Packing List

Model Name	Part No.	Description
EPD-333-Z	EPD-333-Z1001	5.83" black, white, red, yellow ePaper device with battery

Note: WISE-3240 industrial grade supports wider range of operation temperature and storage temperature. Please request WISE-3240 specification for the reference.