

EPD-408 / 208

40.5"/20.2" Color ePaper Display Solution



Features

- E Ink Spectra™ 6 & Kaleido™ 3 Bi-Stable technology
- No power needed during displaying
- EPD-408 Resolution 3060 x 4320 pixels, 131dpi
- EPD-408 System Dimension: 618.96 x 877.39 x H29.65 mm
- EPD-408 Outdoor Version Supported Temperature Range: -15 ~ 65 °C
- Supports three image update methods:
 1. Full Functions in CMS DeviceOn/ePaper (Ubuntu): Converts data into images and delivers them automatically.
 2. Dispatcher (Windows): Sends images directly to the EPD.
 3. USB Drive: Insert a USB with images for automatic carousel display.
 4. Optional Ethernet and WiFi.
- Front frame waterproof rating: IPX2

Introduction

The Advantech EPD can support hospital, factory, smart city and retail applications; and features optimized power consumption and device management. In addition, application layers can acquire data easily and communicate with ePaper devices through an DeviceOn/ePaper server. This EPD total solutions enables SI to focus on application development.

Specifications

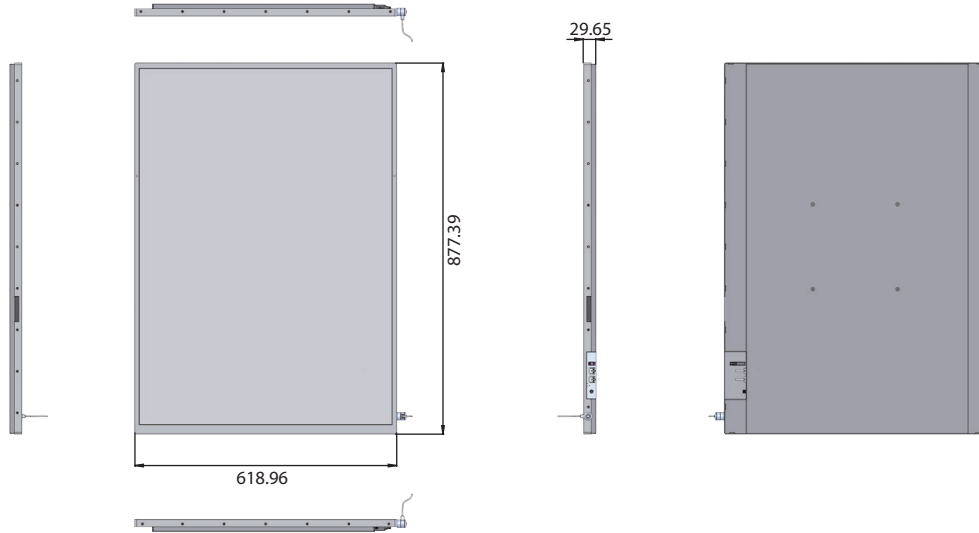
		EPD-408-W1DW	EPD-408-W1D01	EPM-288-W1D002	EPD-208-W1D001
E Ink panel	Display	E Ink Kaleido™ 3	Spectra™ 6	Spectra™ 6	Spectra™ 6
	Resolution	A1, 3060 x 4320 pixels, 131 ppi		A2, 3060 x 2160 pixel, 131dpi	A3, 1530 x 2160 pixels 131 ppi
	Active Area	594.558 (H) x 839.376 (V)		593.2 x 418.7 mm	297.279 (H) x 419.688 (V)
	Pixel Pitch	0.1943 (H) x 0.1943 (V)			
OS		Linux kernel 4.4.6, OpenWrt GCC 4.8.3			
SoC, CPU		MIPS QCA 4531 650 MHz Processor			
Memory		DDR2 128MB			
Storage		SPI flash: 16MB Boot code & 128MB OpenWRT			
Terminal		USB			
Wireless		IEEE 802.11 b/g/n , WAN/LAN 100/10			
LED		Yellow / green			
Indicator		Yes, power on -green , connected with host -yellow			
Kensington lock		Support			
VESA Mount hole		VESA 4 100x100mm w/o M4 screw			VESA 4 75x75mm w/o M4 screw
Power		12V / 5A	12V/5A	12V/3A	12V/3A
RTC Battery		Yes			
Environmental Conditions	Operating Temperature	-15-65 °C	0-50 °C	0-50 °C	0-50 °C
	Rewrite Temperature	-15-65 °C	0-50 °C	0-50 °C	0-50 °C
	Operating Humidity	80% Relative Humidity, Non-condensing			
Storage environment	Temperature	-25 to +70°C	-25 to +60°C	-25 to +60°C	-25 to +60°C
	Humidity	80% RH (no condensation)			
Dimensions (W x H x D)		618.96 x 877.39 x H29.65 mm Front frame waterproof rating: IPX2		624.9 x 441.8 x H28.25 mm	320 x 451 x H28.25mm
Weight		Net weight: 5kg Gross weight: 8kg		Net weight: 3kg Gross weight: 4.8kg	Net weight: 2kg Gross weight: 3kg
Included Accessories	AC adapter	YES			
Compatible Standards		EMC, FCC / NCC			
Application software		1. DeviceOn/ePaper for Wi-Fi / Ethernet 2. Dispatcher for Wi-Fi / Ethernet 3. Local storage via USB			
Shipping Package	size	Carton 718.96 x 1077.39 x 150 mm		Carton 715L x 150W x 570H mm(l)	Carton 400 x 550 x 150 mm(l)
	Env.	Vibration 5-500 Hz, 0.026G2 /Hz, 2.16Grms, X, Y, Z, 1 hour per axis			

Note: The theoretical throughput of 802.11n on device is 180Mbps

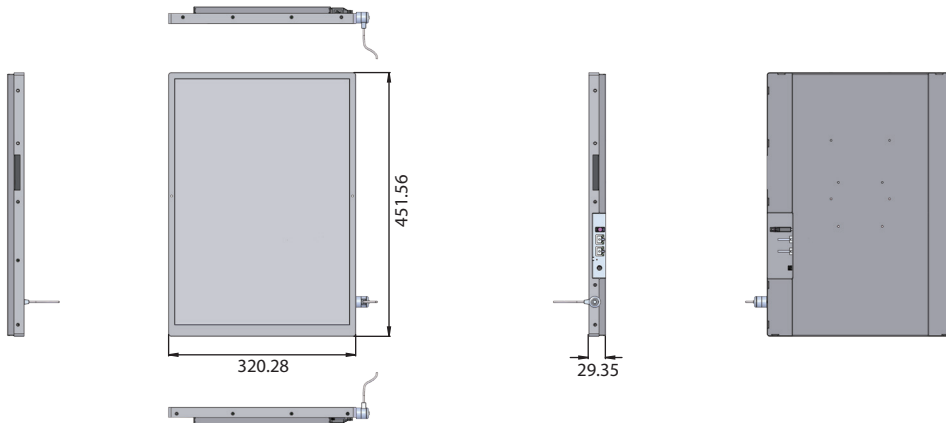
Dimensions

Unit: mm

EPD-408



EPD-208



Ordering Information

Model Name	Part No.	Description
EPD-408	EPD-408-W1DW1	40.5" Kaleido 3 2.4G WiFi, ethernet support for -15~65 degree in black metal chassis
EPD-408	EPD-408-W1D01	40.5" Spectra6 2.4G WiFi, ethernet support for 0~50 degree in black metal chassis
EPM-288	EPM-208-W1D02	28.5" Spectra6 2.4G WiFi, ethernet support for 0~50 degree in white metal chassis
EPD-208	EPD-208-W1D01	20.2" Spectra6 2.4G WiFi, ethernet support for 0~50 degree in black metal chassis

Optional items for 12V/3A

Part No.	Description
1700024849-01	Power Cable 3-pin 180cm, Taiwan type
1700001524	Power Cable 3-pin 180cm, USA type
170203183C	Power Cable 3-pin 180cm, Europe type
170203180A	Power Cable 3-pin 180cm, UK type
1700008921	Power Cable 3-pin PSE Mark 183cm

Optional items for 12V/5A

Part No.	Description
1702002600	Power Cord UL 3P 10A 125V 183cm for USA
1702002600-01	Power Cord UL 3P 10A 125V 183cm for USA
1702002605	Power Cord EU 3P 10A 250V 183cm 90° for Europe
1702031801-11	Power Cord BSI 3P 10A 250V 183cm WS-012A-1 for UK
1700000237	Power Cord PSE 3P 12A 125V 183cm for Japan
1700027909-02	Power Cord BSMI 3P 15A 125V 183cm for Taiwan BSMI

Development Kit Ordering Information

Part No.	Description
WISE-3220IOS-21A1T	Wireless EPD 2.4G WiFi Network IoT Router
ARK-1221L-EP1A1	ePaper Manager Server: Ubuntu 20.04/16G RAM/128G SSD, ADP, DeviceOn/ePaper with 100 device licenses
32WSWPEPD500A0	ePaper connection license 500pcs