

DLT-V7210 K

DLT-V7210 KD

集成键盘，基于X86的坚固耐用车载终端



特性

- 搭载四核 Intel® Atom™ E3845, 1.91 GHz, with 4 GB RAM
- 10.1"宽屏幕WXGA彩色TFT显示屏, 1280 x 800分辨率, 500 cd/m²亮度
- 选配PCT除霜功能, 适合冷链或冷冻库运用
- 抗冲击、耐磨的电容式触摸屏
- IP65防水防尘以及5M3抗冲击防震认证, 坚固耐用
- 宽温操作(-30 ~ 50 °C/-22 ~ 122 °F)
- 集成键盘, 方便操作
- 可选配不间断供电系统
- 选配智能传感器扩展功能e.g.黑屏功能确保驾驶安全

介绍

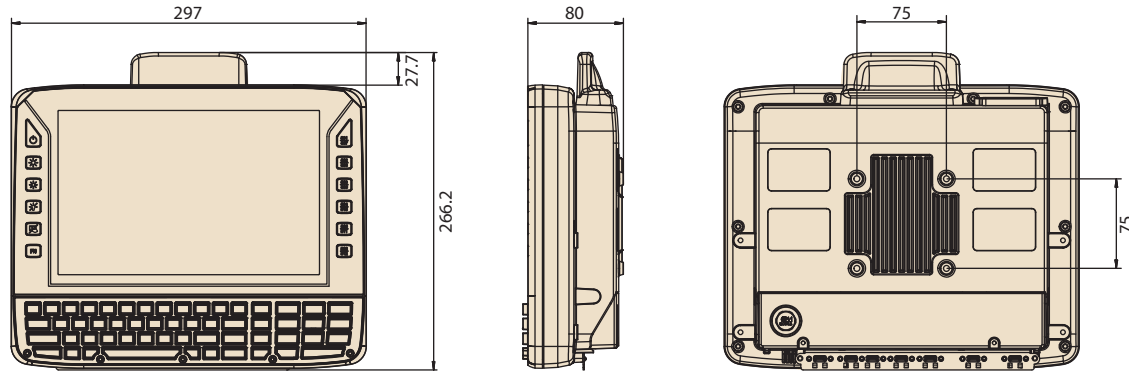
DLT-V7210K 是一款坚固耐用的车载终端, 带有集成键盘, 专为后勤应用而设计, 可提供最大的系统正常运行时间。采用Intel®Atom™E3845四核, 1.91 GHz处理器, 带4 GB RAM。DLT-V7210K支持宽工作温度范围 (-30~50°C/-22~122°F), 以承受极端的工业环境。DLT-V7210KD提供PCT除霜功能, 适合冷链或冷冻库的应用。薄型天线提供出色的传输能力。此外, 集成键盘提供了方便操作和高效的数据输入方式。同时, 10.1"宽屏幕 WXGA 彩色TFT显示屏, 具有灵活的触摸控制功能, 确保轻松输入并减少输入故障。

规格

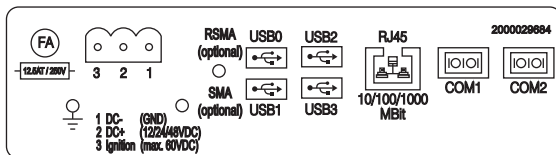
系统	CPU	Intel® Atom™ E3845 quad-core, 1.91 GHz, with 4 GB RAM
	Memory	8Gb - 256GB CFast
尺寸		297.3 x 264.7 x 80 mm (11.7 x 10.42 x 3.15 in)
重量		3.7 kg (8.2 lb) without battery pack/accessories
外观设计		Coated aluminum with completely sealed, fanless design
屏幕		10.1" widescreen WXGA color TFT display with 1280 x 800 resolution and 500 cd/m ² brightness
触控屏	Type	Sunlight-readable PCT multi touchscreen with optional defroster function (touch sensitivity configurable for glove operation)
功能键	Front Panel	12 x control buttons (6 of which are programmable)
	Keyboard	Full-size keyboard (55 keys) with number pad, illuminated keys, and changeable silicon mat; Supports on-site replacement Keyboard versions: DLT-V7210K(QWERTY,QWERTZ,AZERTY); DLT-V7210KD(QWERTY)
软件	Operating System	Windows 10 IoT Enterprise, Windows 7 Pro, WES7, Debian-based Linux, IGEL Linux
	Emulations (Third-Party)	VT100, VT220, IBM 5250, TN 3270, Citrix Client®, Freefloat Access One
无线通讯	WLAN	WLAN IEEE 802.11 a/b/g/n/ac (optional)
	WWAN	WWAN (LTE, UMTS, HSPA+, GSM, GPRS, EDGE) (optional)
	LAN	Ethernet 10/100/1000 Mbit/s
	WPAN	Bluetooth 4.2 (optional)
I/O 界面	Serial	2 x RS-232, COM1 with switchable 5 V _{DC} /RI
	USB	4 x USB 2.0 (Hi-Speed™) bootable, 1 x service USB 3.0 (Super-Speed™)
	External Antennas	1 x RSMA for WLAN, 1 x SMA for WWAN (optional)
传感器		Accelerometer, Gyro (optional)
音频		1 x integrated speaker
电源供应(内部)		12/24/48 V _{DC} nominal voltage with automatic Power On/Off function via vehicle ignition and optional uninterruptible power supply (20 minutes typical); battery life may vary according to load
环境	IP 等级	IP65 rating for the entire system
	操作温度	-30 ~ 50 °C (-22 ~ 122 °F)
	相对湿度	10 to 90% at 40 °C (104 °F), non-condensing
	防震/防冲击	5M3 (EN 60721-3-5) and MIL-STD 810F (US highway truck vibration exposure)
	抗震触摸屏	IK 08
认证		CE Immunity Class A, Emission Class B/FCC Class B (for EU and USA), CCC (for China)

尺寸

Unit: mm



I/O 端口



支架选择

RAM-Mount Set
(one arm)



RAM-Mount Set
(two arms)



Mobile Mounting
Bracket



选配配件

Part Number	Description
DL-MTKT009	Mounting bracket mobile
DL-MTRM004	RAM-Mount Set, one arm, arm length 130mm
DL-MTRM003	RAM-Mount Set, one arm, arm length 215mm
DL-MTRM001	RAM-Mount Set, two arms, arm length 150mm

更多信息请洽研华