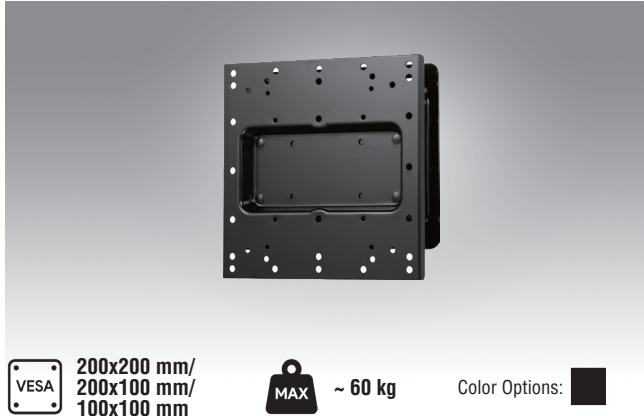


ARES-1 Series

Industrial VESA mounting kit

ARES-12290

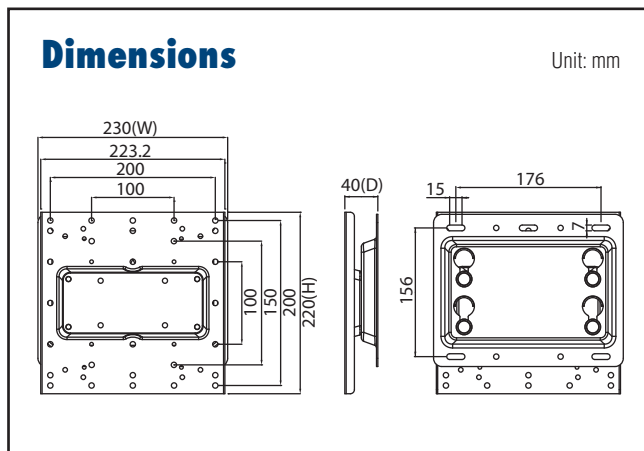


Specifications

| | | |
|---------------------------|--|--------------------------------|
| Net Weight | 1.34 Kg (2.95lbs) | |
| Dimension (W x H x D) | 230 x 220 x 40 mm (9.06" x 8.66" x 1.57") | |
| Screw Type | M4, M5, M6 | |
| Material | Steel | |
| Display Support | Mounting Pattern | 200x200 / 200x100 / 100x100 mm |
| | Panel Size Support | 15" ~ 52" |
| | Support Weight (Max.) | 60kg (132.28 lbs) |
| Min. Distance To The Wall | 40mm (1.57") | |
| Safety Lock | Yes | |

Ordering Information

| Product PN | Description |
|--------------------|---|
| ARES-12290-L202000 | Wall Mount, support 22" ~ 52", max support 60kg, 100 x100 / 200 x100 / 200 x 200 mm |



ARES-12390

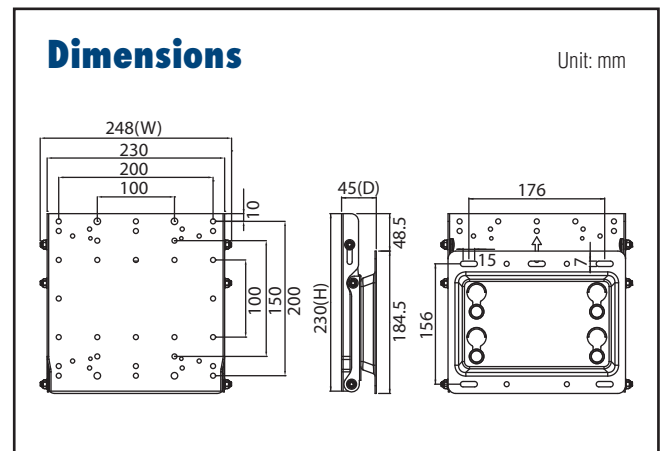


Specifications

| | | |
|---------------------------|--|--------------------------------|
| Net Weight | 2.20 Kg (4.85 lbs) | |
| Dimension (W x H x D) | 248 x 230 x 45 mm (9.76" x 9.06" x 1.77") | |
| Screw Type | M4, M5, M6 | |
| Material | Steel | |
| Hinge Module | Tilt | 0 ~ -15° (Free Angle) |
| Display Support | Mounting Pattern | 200x200 / 200x100 / 100x100 mm |
| | Panel Size Support | 15" ~ 52" |
| | Support Weight (Max.) | 60kg (132.28 lbs) |
| Min. Distance To The Wall | 45mm (1.77") | |
| Safety Lock | Yes | |
| Anti-Theft Lock | No | |

Ordering Information

| Product PN | Description |
|--------------------|--|
| ARES-12390-F202000 | Wall Mount, support 22" ~ 52", max support 60kg, 100 x100 / 200 x100 / 200 x 200 mm, tiltable 0 ~ -15° |



ARES-1 Series

Industrial VESA mounting kit

ARES-1 204G Patented VESA Bracket

ARES-1 2250



VESA 75x75 mm / 100x100 mm **MAX** 2 ~ 10 kg Color Options:



VESA 75x75 mm / 100x100 mm **MAX** ~ 25 kg Color Options:

Specifications

| | | |
|---------------------------|---|-----------------------|
| Net Weight | 0.55 Kg (1.21lbs) | |
| Dimension (W x H x D) | 115 x 115 x 90.7 mm (4.53" x 4.53" x 3.57") | |
| Screw Type | M4 | |
| Material | Steel/Aluminum Alloy/Plastic | |
| Hinge Module | Swivel | ±20° |
| | Tilt | ±20° |
| | Pivot | 360° |
| | User Torque Adjust | Available |
| | Mounting Pattern | 100x100 / 75x75mm |
| Display Support | Panel Size Support | 7" ~ 32" |
| | Support Weight (Range) | 2~10Kg (4.4~22.04lbs) |
| Min. Distance To The Wall | 90.7mm (3.57") | |

Specifications

| | | |
|---------------------------|---|-------------------|
| Net Weight | 0.30 kg (0.66 lbs) | |
| Dimension (W x H x D) | 115 x 115 x 20 mm (4.53" x 4.53" x 0.79") | |
| Screw Type | M4 | |
| Material | Steel | |
| Display Support | Mounting Pattern | 100x100 / 75x75mm |
| | Panel Size Support | 7" ~ 32" |
| | Support Weight (Max.) | 25kg (55.12 lbs) |
| Min. Distance To The Wall | 20mm (0.79") | |
| Safety Lock | No | |

Ordering Information

| Product PN | Description |
|---------------------|---|
| ARES-1204G -AR01101 | Wall Mount with enhanced VESA bracket, support 15~32", 2~10 kg, 75x75/100x100mm |

Ordering Information

| Product PN | Description |
|--------------------|--|
| ARES-12250-L101000 | Wall Mount, support 15" ~ 32", max.support 25kg, 75 x 75 / 100 x 100mm |

Dimensions

Unit: mm

| VESA | Tilt | Swivel | Torque Adjust | Rotate | Cable Management |
|---------------------|------|--------|---------------|-------------|------------------|
| 100x100 / 75x75(mm) | ±20° | ±20° | | Rotate 360° | |





Dimensions

Unit: mm

Compatible Table







Get the latest version [HERE](#)

| Model Name | ARES-1204G | | | | ARES-12250 | | ARES-12290 | | ARES-12390 | |
|-------------------------|---|-------------|----------------------|----------------------------|---|--|---|--|---|--|
| Part Number | ARES-1204G -AR01101 | | | | ARES-12250-L101000 | | ARES-12290-L202000 | | ARES-12390-F202000 | |
| Photo |  | | | |  | |  | |  | |
| Max. support weight | 2 ~ 10kg | | | | max. 25kg | | max. 60kg | | max. 60kg | |
| Max. support panel size | 7" ~ 32" | | | | 7" ~ 32" | | 15" ~ 52" | | 15" ~ 52" | |
| System Model | Panel size (inch) | Weight (kg) | VESA (mm) | 75 x 75 mm 100 x 100 mm | 75 x 75 mm 100 x 100 mm | 100 x 100 mm 200 x 100 mm 200 x 200 mm | 100 x 100 mm 200 x 100 mm 200 x 200 mm | 100 x 100 mm 200 x 100 mm 200 x 200 mm | 100 x 100 mm 200 x 100 mm 200 x 200 mm | |
| FPM-212 | 12.1" | 3.2 | 75 x 75 | Yes | Yes | - | - | - | - | |
| FPM-215 | 15" | 4.6 | 75 x 75 | Yes | Yes | - | - | - | - | |
| FPM-217 | 17" | 5.4 | 75 x 75 | Yes | Yes | - | - | - | - | |
| FPM-219 | 19" | 6.2 | 75 x 75 | Yes | Yes | - | - | - | - | |
| FPM-3121G | 12.1" | 4.07 | 75 x 75 100 x 100 | Yes | Yes | - | - | - | - | |
| FPM-3151G | 15" | 7.73 | 75 x 75 100 x 100 | Yes | Yes | - | - | - | - | |
| FPM-3171G | 17" | 9.25 | 75 x 75 100 x 100 | Yes | Yes | - | - | - | - | |
| FPM-3191G | 19" | 10.65 | 75 x 75 100 x 100 | Yes | Yes | - | - | - | - | |
| FPM-5151G | 15" | 6 | 75 x 75 100 x 100 | Yes | Yes | - | - | - | - | |
| FPM-5171G | 17" | 7 | 75 x 75 100 x 100 | Yes | Yes | - | - | - | - | |
| FPM-5191G | 19" | 9 | 75 x 75 100 x 100 | Yes | Yes | - | - | - | - | |
| FPM-7151T | 15" | 4.2 | 75 x 75 100 x 100 | Yes | Yes | - | - | - | - | |
| FPM-7151W | 15.6" | 4.2 | 75 x 75 100 x 100 | Yes | Yes | - | - | - | - | |
| FPM-715 | 15" | 4.6 | 75 x 75 | Yes | Yes | - | - | - | - | |
| FPM-715W | 15.6" | 4 | 75 x 75 | Yes | Yes | - | - | - | - | |
| FPM-717 | 17" | 5.4 | 75 x 75 | Yes | Yes | - | - | - | - | |
| FPM-7181W | 18.5" | 6 | 100 x 100 | Yes | Yes | - | - | - | - | |
| FPM-719 | 19" | 6.2 | 75 x 75 | Yes | Yes | - | - | - | - | |
| FPM-7211W | 21.5" | 8 | 100 x 100 | Yes | Yes | - | - | - | - | |
| FPM-815S | 15" | 7.73 | 100 x 100 | Yes | Yes | - | - | - | - | |
| FPM-817S | 17" | 7.73 | 100 x 100 | Yes | Yes | - | - | - | - | |
| FPM-8151H | 15" | 8.5 | 75 x 75 100 x 100 | Yes | Yes | - | - | - | - | |
| HIT-507 | 7" | 1.2 | 75 x 75 | - | Yes | - | - | - | - | |
| HIT-512 | 11.6" | 1.5 | 75 x 75 | - | Yes | - | - | - | - | |
| HIT-W153 | 15.6" | 4.7 | 75 x 75 100 x 100 | Yes | Yes | Yes | Yes | Yes | Yes | |
| HIT-W183 | 18.5" | 5.94 | 75 x 75 100 x 100 | Yes | Yes | Yes | Yes | Yes | Yes | |
| HIT-W101L | 10.1" | 1.4 | 75 x 75 | - | Yes | - | - | - | - | |
| IPPC-5211WS | 21.5" | 15.8 | 100 x 100 | -- | Yes | - | - | - | - | |
| PAX-121 | 21.5" | 5.5 | 75 x 75 100 x 100 | Yes | Yes | Yes | Yes | Yes | Yes | |
| PAX-124 | 23.8" | 6.98 | 75 x 75 100 x 100 | Yes | Yes | Yes | Yes | Yes | Yes | |
| PAX-324 | 24" | 7.6 | 75 x 75 100 x 100 | Yes | Yes | Yes | Yes | Yes | Yes | |
| PAX-327 | 27" | 10.36 | 75 x 75 100 x 100 | - | Yes | Yes | Yes | Yes | Yes | |
| PAX-332 | 32" | 12.5 | 75 x 75 100 x 100 | - | Yes | Yes | Yes | Yes | Yes | |
| PAX-355 | 55" | 55 | 600 x 400 | - | - | - | - | - | - | |
| POC-421 | 21.5" | 6.29 | 75 x 75 100 x 100 | Yes | Yes | Yes | Yes | Yes | Yes | |
| POC-424 | 23.8" | 7.78 | 75 x 75 100 x 100 | Yes | Yes | Yes | Yes | Yes | Yes | |

Compatible Table



Get the latest version [HERE](#)

| Model Name | ARES-1204G | | | ARES-12250 | | ARES-12290 | | ARES-12390 | |
|--|---|-------------|----------------------|---|----------------------------|---|--|---|--|
| Part Number | ARES-1204G -AR01101 | | | ARES-12250-L101000 | | ARES-12290-L202000 | | ARES-12390-F202000 | |
| Photo |  | | |  | |  | |  | |
| Max. support weight | 2 ~ 10kg | | | max. 25kg | | max. 60kg | | max. 60kg | |
| Max. support panel size | 7" ~ 32" | | | 7" ~ 32" | | 15" ~ 52" | | 15" ~ 52" | |
| System Model | Panel size (inch) | Weight (kg) | VESA (mm) | 75 x 75 mm 100 x 100 mm | 75 x 75 mm 100 x 100 mm | 100 x 100 mm 200 x 100 mm 200 x 200 mm | 100 x 100 mm 200 x 100 mm 200 x 200 mm | | |
| POC-615 | 15.6" | 4.89 | 75 x 75 100 x 100 | Yes | Yes | Yes | Yes | | |
| POC-621 | 21.5" | 6.29 | 75 x 75 100 x 100 | Yes | Yes | Yes | Yes | | |
| POC-624 | 23.8" | 7.78 | 75 x 75 100 x 100 | Yes | Yes | Yes | Yes | | |
| POC-821 | 21.5" | 7 | 75 x 75 100 x 100 | Yes | Yes | Yes | Yes | | |
| POC-824 | 23.8" | 8 | 75 x 75 100 x 100 | Yes | Yes | Yes | Yes | | |
| SPC-221 | 21.5" | 9 | 100 x 100 | Yes | Yes | - | - | | |
| SPC-515 | 15" | 10 | 100 x 100 | Yes | Yes | - | - | | |
| SPC-815 (VESA mounting kit: 9653800M020) | 15.6" | 8.2 | 100 x 100 | Yes | Yes | - | - | | |
| SPC-821 (VESA mounting kit: 9653800M020) | 21.5" | 10.6 | 100 x 100 | -- | Yes | - | - | | |
| TPC-1251T | 12" | 3.12 | 100 x 100 | Yes | Yes | - | - | | |
| TPC-1551T | 15" | 4.4 | 100 x 100 | Yes | Yes | - | - | | |
| TPC-1751T | 17" | 5.1 | 100 x 100 | Yes | Yes | - | - | | |
| TPC-312 WHL | 12.1" | 4.1 | 100 x 100 | Yes | Yes | - | - | | |
| TPC-315 WHL | 15" | 5.8 | 100 x 100 | Yes | Yes | - | - | | |
| TPC-317 WHL | 17" | 6.1 | 100 x 100 | Yes | Yes | - | - | | |
| TPC-324W WHL | 23.8" | 9.3 | 100 x 100 | Yes | Yes | - | - | | |
| TPC-312 EHL | 12" | 4.1 | 100 x 100 | Yes | Yes | - | - | | |
| TPC-315 EHL | 15" | 5.8 | 100 x 100 | Yes | Yes | - | - | | |
| TPC-324W EHL | 23.8" | 9.3 | 100 x 100 | Yes | Yes | - | - | | |
| TPC-107W | 7" | 2 | 100 x 100 | Yes | Yes | - | - | | |
| TPC-110W | 10.1" | 3.9 | 100 x 100 | Yes | Yes | - | - | | |
| TPC-115W | 15.6" | 6.9 | 100 x 100 | Yes | Yes | - | - | | |
| USC-130 | 11.6" | 2 | 75 x 75 | Yes | Yes | - | - | | |
| USC-160 | 15.6" | 3 | 75 x 75 | Yes | Yes | Yes | Yes | | |
| USC-250 | 15" | 5.1 | 75 x 75 | Yes | Yes | Yes | Yes | | |
| USC-M3 | 11.6" | 2 | 75 x 75 | Yes | Yes | - | - | | |
| USC-M6 | 15.6" | 3 | 75 x 75 | Yes | Yes | - | - | | |
| UTC-115 | 15.6" | 2.4 | 100 x 100 | Yes | Yes | Yes | Yes | | |
| UTC-120 | 21.5" | 5.29 | 100 x 100 | Yes | Yes | Yes | Yes | | |
| UTC-307 | 7" | 0.95 | 75 x 75 | - | Yes | - | - | | |
| UTC-310 | 10.1" | 1.12 | 75 x 75 | - | Yes | - | - | | |
| UTC-315 | 15.6" | <4 | 75 x 75 | Yes | Yes | Yes | Yes | | |
| UTC-318 | 18.5" | 5 | 100 x 100 | Yes | Yes | Yes | Yes | | |
| UTC-320 | 21.5" | 6.5 | 100 x 100 | Yes | Yes | Yes | Yes | | |
| UTC-510 | 10.1" | 1.8 | 75 x 75 | - | - | - | - | | |
| UTC-515 | 15.6" | 4.85 | 100 x 100 | Yes | Yes | Yes | Yes | | |
| UTC-520 | 21.5" | 8 | 100 x 100 | Yes | Yes | Yes | Yes | | |
| UTC-532 | 31.5" | 18 | 100 x 100 | - | Yes | Yes | Yes | | |
| UTC-542 | 42.5" | 24.6 | 100 x 100 | - | - | Yes | Yes | | |
| UTC-723 | 31.5" | 38 | 200 x 200 | - | - | Yes | Yes | | |
| UTK-615AP | 15.6" | 5 | 100 x 100 | Yes | Yes | Yes | Yes | | |
| UTK-615DP | 15.6" | 5 | 100 x 100 | Yes | Yes | Yes | Yes | | |
| UTK-6023 | 23.8" | 38 | 200 x 200 | - | - | Yes | Yes | | |
| UTK-6031 | 31.5" | 40 | 200 x 200 | - | - | Yes | Yes | | |