

# PPC-3150SW

## 15.6" Fanless Widescreen Panel PC with Intel® Pentium® N4200 Quad-Core Processor



### Features

- 15.6" true-flat WXGA TFT LCD with projected capacitive touch control
- Fanless design with low power consumption
- Supports 1 x internal 2.5" SATA HDD and 1 x mSATA
- Configurable RS-232/422/485 ports via BIOS
- Automatic data flow control over RS-485
- Wide range DC support (12 ~ 24 V<sub>DC</sub>)
- Supports dual displays
- IP65-rated front panel



### Introduction

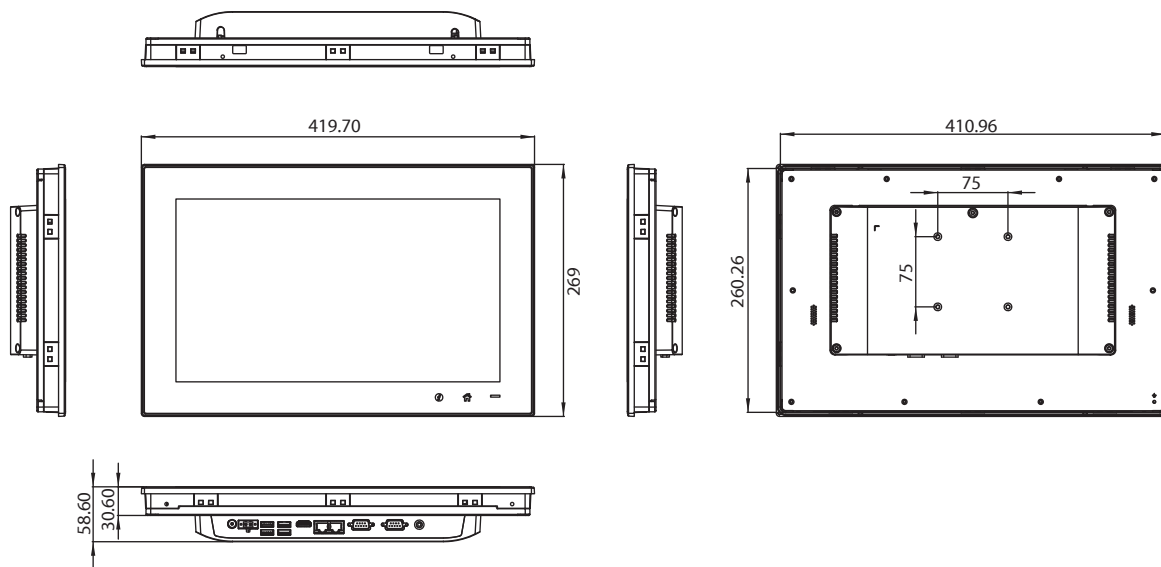
The PPC-3150SW is a high-value, ultra-slim panel PC equipped with a 15.6" WXGA TFT LCD, and low-power Intel® Pentium® N4200 quad-core, 1.1 GHz, processor to provide high-performance computing in a compact and fanless system. For high durability and functionality, the PPC-3150SW features an IP65-rated front panel, multi-touch projected capacitive touchscreen, die cast aluminum alloy enclosure, two serial ports, four USB ports, and two GbE LAN ports, making it suitable for diverse industrial applications.

### Specifications

<b>System</b>	CPU	Intel® Pentium® N4200 quad core
	Frequency	1.1GHz, turbo boot to 2.5GHz.
	L2 Cache	3 MB
	Memory	1 x SODIMM, DDR3L 1600/1866, max. 8 GB
	Storage	1 x 2.5" SATA bay 1 x mSATA bay
	Network (LAN)	2 x 10/100/1000 Mbps Ethernet (Intel I211-AT)
	I/O	2 x Serial ports: 1 x RS-232, 1 x RS-232/422/485 2 x USB 3.0, 2 x USB 2.0 1 x Line-out 1 x HDMI
	Expansion	1 x Mini PCIe
	Watchdog Timer	255 timer levels, set up by software
Speaker	2 x 1W	
<b>Physical Characteristics</b>	Dimensions	419.7 x 269 x 58.6 mm (16.52 x 10.59 x 2.3 in)
	Weight	4.7 kg (10.36 lb)
<b>OS Support</b>	OS Support	Microsoft® Windows 10 (64-bit), Linux, Android
<b>Power Consumption</b>	Input Voltage	12 ~ 24 V <sub>DC</sub>
	Power Consumption	33W
<b>LCD</b>	Display Type	15.6" TFT LCD (LED backlight)
	Max. Resolution	1366 x 768
	Viewing Angle	85 (Left), 85 (Right), 80 (Up), 80 (Down)
	Luminance (cd/m <sup>2</sup> )	400
	Contrast Ratio	500
	Backlight Lifetime	50,000 hr (min.)
<b>Touchscreen</b>	Touch Type	Multi-touch projected capacitive
	Light Transmission	90% ± 2%
	Controller	USB Interface
<b>Environment</b>	Operating Temperature	0 ~ 50 °C (32 ~ 122 °F) with SSD 0 ~ 40 °C (32 ~ 104 °F) with HDD
	Storage Temperature	-20 ~ 60 °C (-4 ~ 140 °F)
	Relative Humidity	10 ~ 95% @ 40 °C (Non-Condensing)
	Shock	Operating 10 G Peak Acceleration (11 ms Duration), Follows IEC 60068-2-27
	Vibration	Operating Random Vibration Test 5~500Hz, 1Grms @with HDD; 2Grms @with SSD, Follows IEC 60068-2-64
	EMC	CE, FCC Class B, BSMI
	Safety	CE, UL, CCC, BSMI
Front Panel Protection	IP65 compliant	

## Dimensions

Unit: mm

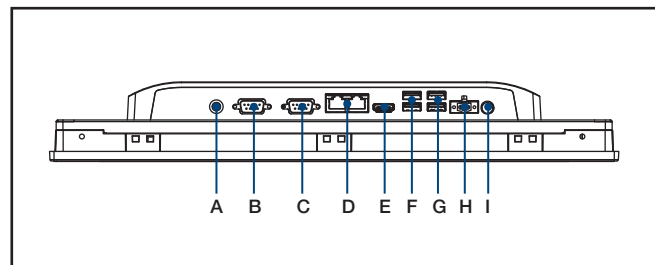


Panel Cutout Dimensions: 413 x 262 mm (16.25 x 10.31 in)

## Ordering Information

Part Number	Description
PPC-3150SW-PN4A	15.6" Wide screen PPC with PCT Multi-touch, Intel Pentium® N4200 Quad-Core
96PSA-A90W190T-1	Adapter AC100-240V 90W 19V
1700001524	POWER Cord 3P UL 10A 125V 180cm
170203183C	POWER Code 3P Europe (WS-010+083)183 cm
1700008921	POWER CORD 3P/3P POWER SUPPLY 1.8 M PSE
96CB-POWER-B-1.8M	Power code 3P CCC(China) 1.8M
PPC-174T-WL-MTE	Wall mount kit for PPC series
PPC-STAND-A1E	Stand for PPC series
PPC-ARM-A03	ARM VESA Standard (A-CLEVER) for PPC series
PPC-WLAN-C1E	Supports 802.11 a/b/g/n/ac and BT4.1 (2T2R)
PPC-HDD-N4200	HDD Bracket module for PPC-3150SW and PPC-3180SW

## I/O View



- A. Line out
- B. COM1: RS-232
- C. COM2: RS-232/422/485
- D. 2 x LAN
- E. HDMI
- F. 2 x USB 3.0
- G. 2 x USB 2.0
- H. DC-In
- I. Power Switch