

DLT-V4108

带集成键盘的车载终端



特色

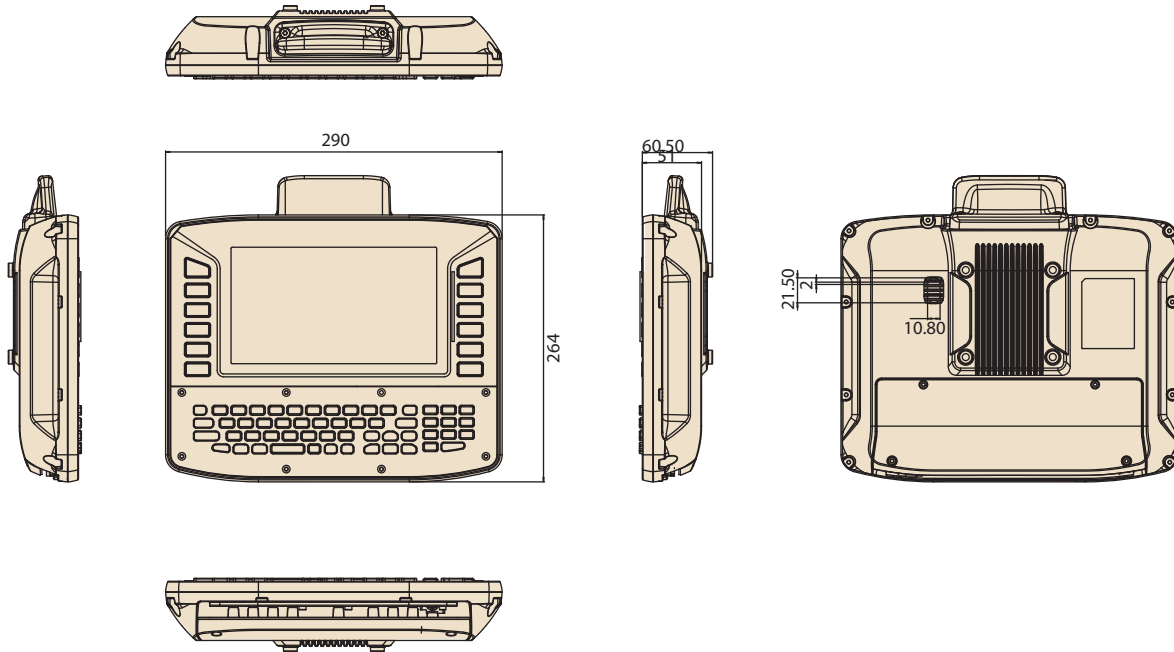
- Intel® Atom™ E3826 dual-core, 双核, 1.46 GHz, 处理器
- 8寸彩色TFT高亮度(750 nits)宽屏幕
- 坚固型, 全机带键盘通过IP65等级及5M3认证
- 支持LTE, GPS, Wi-Fi®, 和蓝牙® 功能
- 支持不间断供电, 最高达15分钟
- 整机宽温操作(-30 ~ 50 °C/-22 ~ 122 °F)可支持冷库应用

规格

系统	CPU	Intel® E3826 dual-core, 1.46 GHz, with 4 GB RAM
	Memory	32 GB MLC-Fast
外观		Coated aluminum with completely sealed, fanless design
尺寸 (W x H x D)		290 x 264 x 60.5 mm (11.42 x 10.39 x 2.38 in)
重量		3.4 kg (7.49 lb) without antenna
屏幕		8" color TFT with 1024 x 600 resolution and 750 cd/m ² brightness
触摸屏	Type	Projected capacitive multi-touch
控制按钮	Front Panel	12 x control buttons
	Keyboard	QWERTY version
软件	Operating System	Windows 10 IoT Enterprise, Windows 7/8 Pro, WES7, WE8S, Windows Embedded Compact 7*
通讯	Wi-Fi	Wi-Fi IEEE 802.11 a/b/g/n
	WWAN	WWAN (GSM, GPRS, EDGE, UMTS, HSPA, LTE) (optional)
	LAN	Ethernet 10/100/1000 Mbit/s with optional secondary Ethernet
	WPAN	Bluetooth
定位服务		GPS (optional)
I/O 界面	Serial, USB	1 x RS-232 with 12 V _{DC} , 1 x USB 2.0 host Type A, and 1 x service USB 2.0 with additional USB and RS-232 via master harness cable
	CAN	Via master harness cable
	External Antennas	1 x RSMA for Wi-Fi, 1 x SMA for WWAN, and 1 x SMA for GPS
音频系统		1 x speaker integrated 1 x Mic-In, 1 x Line-In, and 1 x Line-Out via master harness cable
电源(内置)		12/24/48 V _{DC} nominal voltages (9 ~ 60 V _{DC} min./max.) with automatic Power On/Off functionality via vehicle ignition and optional uninterruptible power supply (15 minutes typical)
环境	IP Rating	IP65 rating for the entire system
	Touchscreen Durability	IK 06 according to IEC 62262
	Operating Temperature	-30 ~ 50 °C (-22 ~ 122 °F)
	Relative Humidity	10 to 90% at 40 °C (104 °F), non-condensing
	Shock/Vibration	5M3 (EN 60721-3-5) and MIL-STD 810F (US highway truck vibration exposure)
认证		CE Immunity Class A, Emission Class B/FCC Class B, CCC (for China)

尺寸

Unit: mm



订购信息

Part Number	Description	CPU	Memory	Storage	Wi-Fi	BT	GPS	LTE	OS	OS language
DLV4108-7PL210W0E	DLT-V4108 32G Cfast/Win10IoT/WIFI	Intel Atom E3826 Dual Core 1.46GHz	4GB	32GB	V	V	X	X	Win10IoT	English, German, Chinese simpl.
DLV4108-7PL21FW0E	DLT-V4108 32G Cfast/Win10IoT/WIFI+GPS+LTE(EU)	Intel Atom E3826 Dual Core 1.46GHz	4GB	32GB	V	V	V	V	Win10IoT	English, German, Chinese simpl.
DLV4108-7PL21DW0E	DLT-V4108 32G Cfast/Win10IoT/WIFI+GPS+LTE(China)	Intel Atom E3826 Dual Core 1.46GHz	4GB	32GB	V	V	V	V	Win10IoT	English, German, Chinese simpl.
DLV4108-7PL21SW0E	DLT-V4108 32G Cfast/Win10IoT/WIFI+GPS+LTE(US)	Intel Atom E3826 Dual Core 1.46GHz	4GB	32GB	V	V	V	V	Win10IoT	English, German, Chinese simpl.
DLV4108-7PL2MOW1E	DLT-V4108 32G Cfast/WIFI/32G Cfast/ WEC7 English	Intel Atom E3826 Dual Core 1.46GHz	4GB	32GB	V	V	X	X	WEC7	English
DLV4108-7PL2MOW0E	DLT-V4108 32G Cfast/WIFI/32G Cfast/ WEC7 Chinese simpl.	Intel Atom E3826 Dual Core 1.46GHz	4GB	32GB	V	V	X	X	WEC7	Chinese simpl.

* Further configurations on request!

打包清单

- Power Cable VDC 3m

配件

Part Number	Description
DL-CMEMT70129800	RAM-Mount Set short 2.25" 1 Arm 130mm
DL-CMEMT70129700	RAM-Mount Set long Arm 215mm
DL-CMEMT70119300	RAM-Mount Set long double 1.5" Arm 150mm
DL-WFAK7027200	Wi-Fi antenna kit, remote
1750007724-01	GPS, 4G/3G/2G and Wi-Fi Antenna
96554108000	ASS'Y Harness Cable kit for DLV-4108

* 其他配置需求请咨询业务!

I/O 接口

