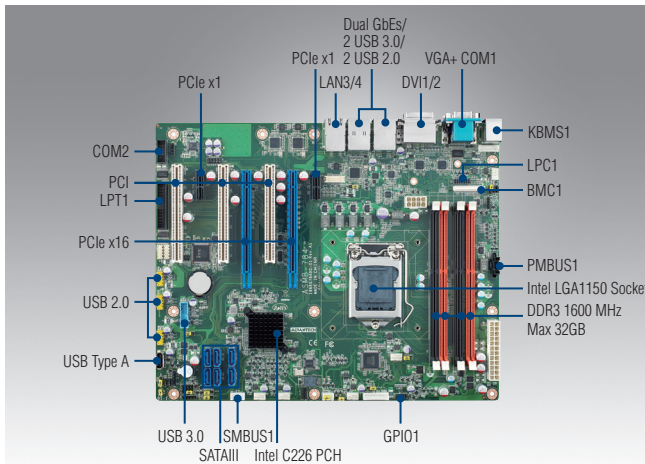


ASMB-784

LGA 1150 Intel® Xeon® E3 v3/ 4th Generation Core™ ATX Server Board with 2 PCIe x16 Slots (x8 link), 3 PCI, USB 3.0, Quad/Dual LANs



Features

- Supports LGA 1150 Intel® Xeon® E3-1200 v3 and 4th generation Core™ i7/ i5/i3 processors
- DDR3 1600 MHz ECC/Non-ECC UDIMM up to 32GB
- One Gen 3.0 PCIe x16 link or two PCIe x16 slots with x8 link, two PCIe x1 and three PCI slots
- Rackmount optimized placement with positive air flow design
- Supports Intel vPro, AMT 9.0, IPMI (optional) and embedded software APIs and utilities



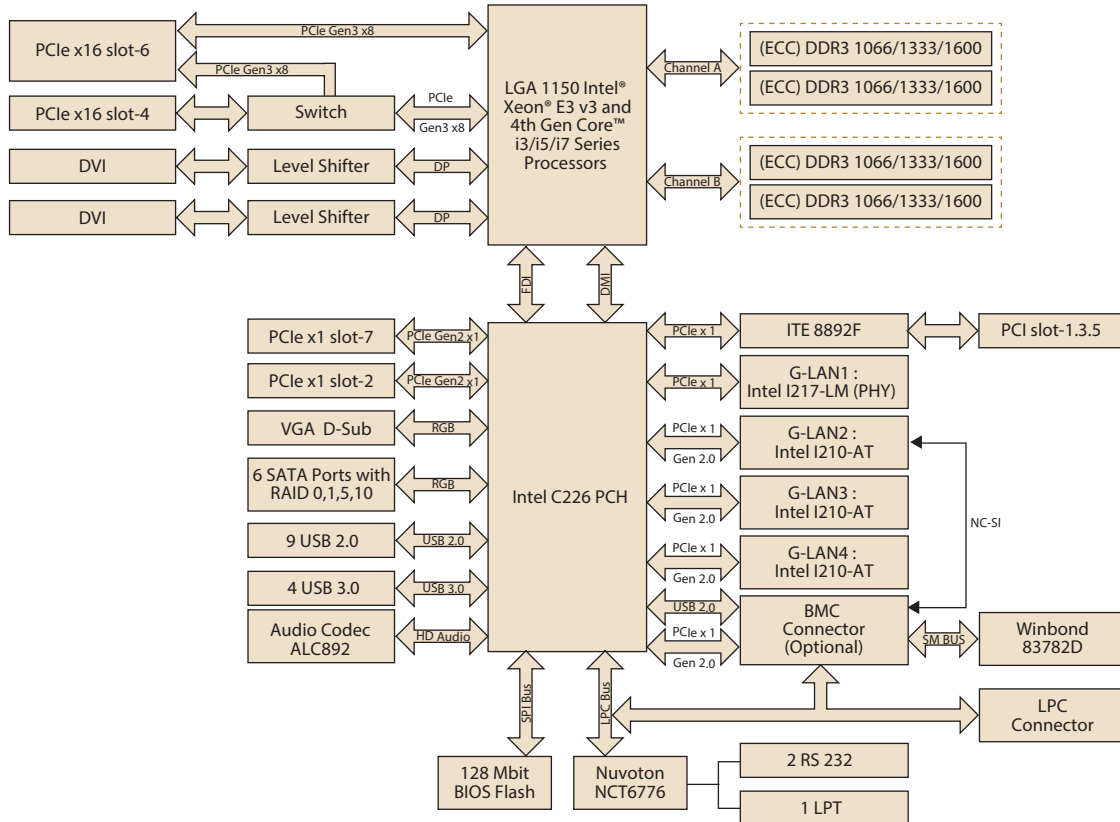
Specifications

Form Factor		ATX form factor				
Processor System	Socket	Intel LGA 1150				
	CPU type	Intel® Xeon® E3-1200 v3 and Core™ i3/i5/i7 series (TDP up to 88W)				
Core Logic	Chipset	Intel C226 chipset				
Memory	Total slots	4 (Dual Channel)				
	Max. capacity	32 GB				
	Memory type	DDR3 ECC/Non-ECC 1600/1333/1066 MHz UDIMM (240-pin)*				
	Memory size	1 GB, 2 GB, 4 GB, 8 GB				
Expansion Slots	Total PCI/PCI-X/PCIe slots	7				
	Slot location 1	PCI				
	Slot location 2	PCIe x1 slot (Gen2 x1 link)				
	Slot location 3	PCI				
	Slot location 4	PCI x16 slot (Gen3 x8 link)				
	Slot location 5	PCI				
	Slot location 6	PCI x16 slot (Gen3 x8 or x16 link)				
Graphics	Controller	Intel HD Graphics**				
	VRAM	1 GB maximum shared memory with 2 GB and above system memory installed				
Storage	SATA controller	Intel C226: 6 SATA3 6 Gb/s ports with Intel Rapid Storage Technology support (for Windows only) (Supports software RAID 0, 1, 10 & 5)				
	SAS controller	-				
Networking	Interface	10/100/1000 Mbps				
	Controller	GbE LAN1: Intel I217-LM; GbE LAN 2-4: Intel I210-AT				
	Connector	RJ-45 x 2 for G2 version; RJ-45 x 4 for G4 version				
Onboard I/O Connector	Printer Port connector	1				
	PSU connector	24-pin SSI power connector + 8-pin SSI 12V power connector				
	USB connector	2 USB 3.0; 7 USB 2.0 (1 x USB Type-A)				
	Fan header	5 (4-pin)				
	SMBus	2				
	Chassis intruder	1				
	Front LAN LED	2				
	Serial port header	1 (RS-232)				
	Audio Connector	1 (ALC 892)				
	PS/2 KB/Mouse	1				
Rear I/O Connector	External serial port	1				
	External USB port	4 (2 USB 3.0 and 2 USB 2.0)				
	VGA port	1				
	DVI	2				
	Display Port	-				
	RJ-45	2 for G2 version. 4 for G4 version				
Watchdog Timer	Output	System reset				
	Interval	Programmable 1 ~ 255 sec				
	Power On	Intel® Xeon® E3-1275v3 3.5GHz; DDR3 8G x4				
Power Requirement	3.3 V	5 V	12 V	12V_8P	5 Vsb	-12 V
	1.17A	2.30A	0.06A	4.33A	0.16A	0.01A
Environment	Operating		Non-operating			
	Temperature	0 ~ 60 °C (32 ~ 140 °F)	-40 ~ 85 °C (-40 ~ 185 °F)			
	Humidity	0% ~ 95%	5% ~ 95% (Non-condensing)			
Physical Characteristics	Dimension (L x H)	304.8 x 244 mm (12" x 9.6")				

* ECC memory support or not depends on Intel processor specification.

** Some Xeon processors have no graphic support. Please check Intel specification for processor graphics availability.

Block Diagram



Ordering Information

Part Number	Chipset	LAN	USB 3.0	DVI	SATAIII	IPMI
ASMB-784G2-00A1E	C226	2	4	2	6	Optional
ASMB-784G4-00A1E	C226	4	4	2	6	Optional

Packing List

Part Number	Description	Quantity
2066S78402	Driver CD	x 1
2006S78410	Startup manual	x 1
1700003194	SATA data cables	x 2
1700022749-11	SATA power cables	x 2
19Z0000502T000	I/O shield	x 1

Optional Accessories

Part Number	Description
1700002204	Dual port USB 2.0 cable (27 cm) with bracket
1700008461	Four port USB 2.0 cable (30.5 cm) with bracket
1960052651N021	LGA 1151/1150/1155 CPU cooler for 2U/4U and wallmount chassis
1960049408N001	LGA 1151/1150/1155 1U CPU Cooler
19Z0000747T000	1U I/O shield
1700008809	Printer port cable kit (25 cm)
1700020294-01	Printer port cable kit (42 cm)
1701090401	COM port cable with bracket (40 cm)
1700020277-01	Dual port USB 3.0 cable with bracket (30 cm)
1700007351	SATA cable L-type (for ACP-4320)
AI8B-AUDIO-HDA1E	HD Audio-Card
IPMI-1000-00A2E	IPMI 2.0 Module
PCA-TPM-00A1E	TPM Module with Infineon TPM 1.2 solution

I/O View



ASMB-784G2-00A1E



ASMB-784G4-00A1E

Note 1: To enable Intel vPro feature, PCA-TPM-00A1E must be installed.

Note 2: Purchasing ASMB-784's proprietary CPU cooler from Advantech is a must. Other brands' CPU coolers are NOT compatible with ASMB-784.